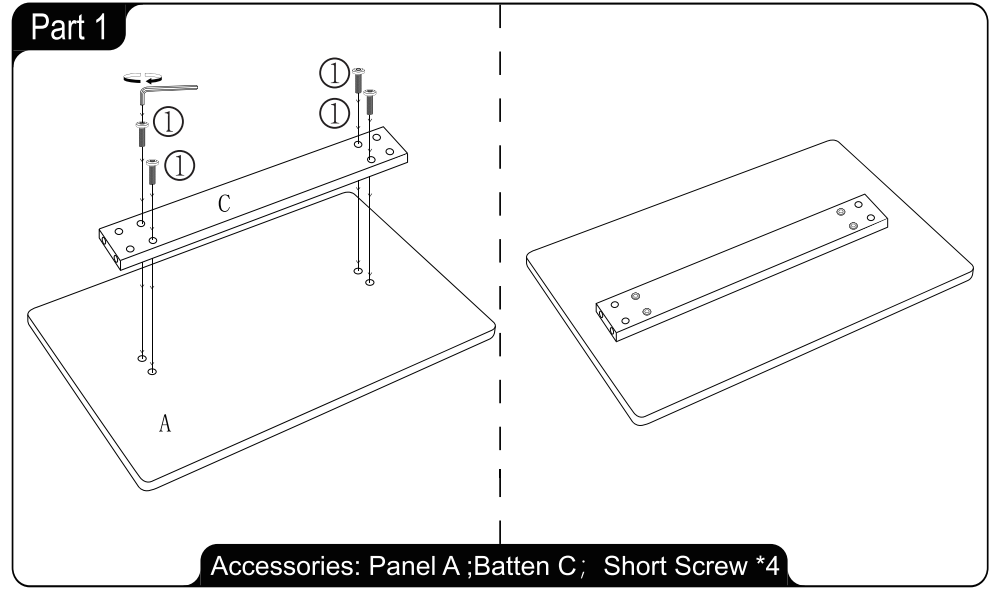
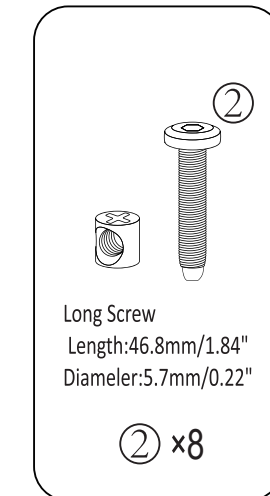
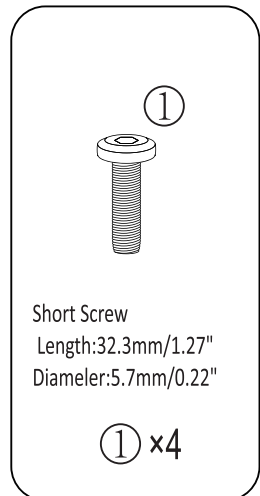
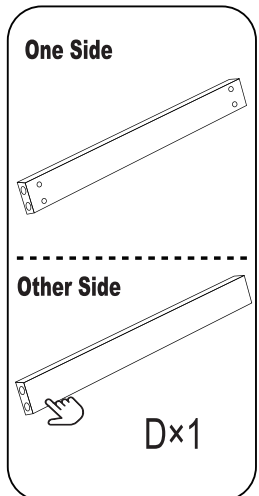
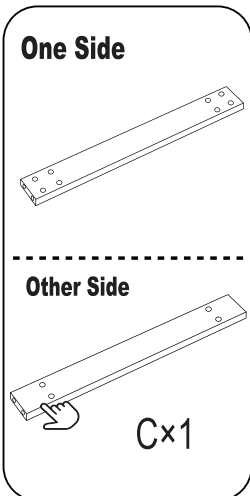
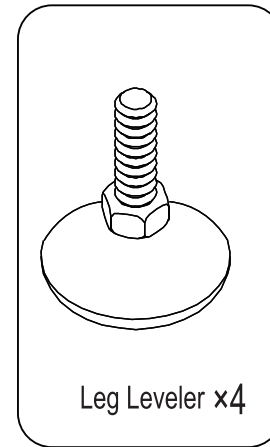
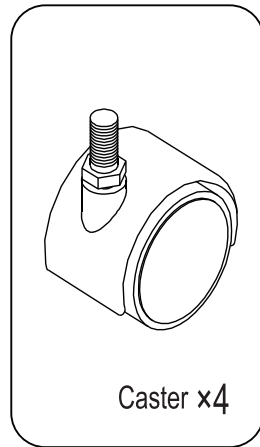
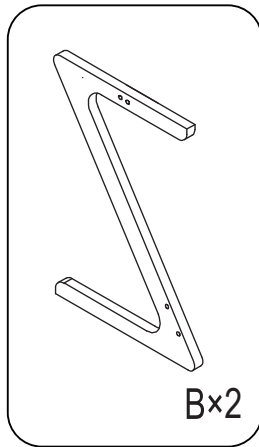
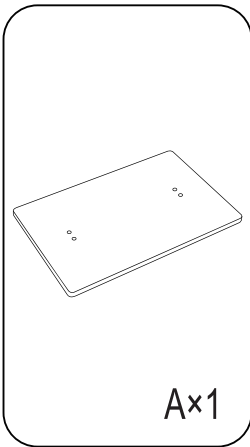
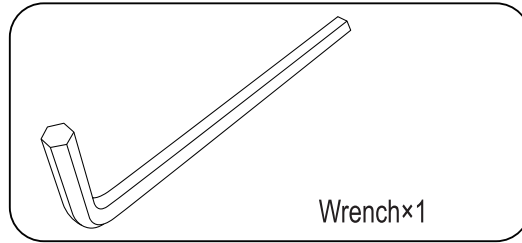
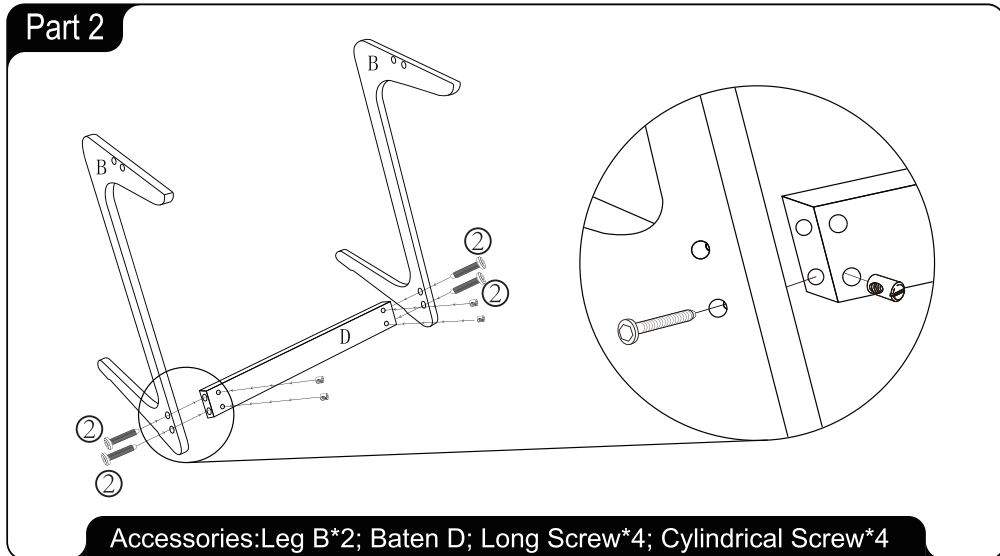


# TV Tray Table Assembly Manual (WBST Series)



**May be two useless advices but it's worth the warning**

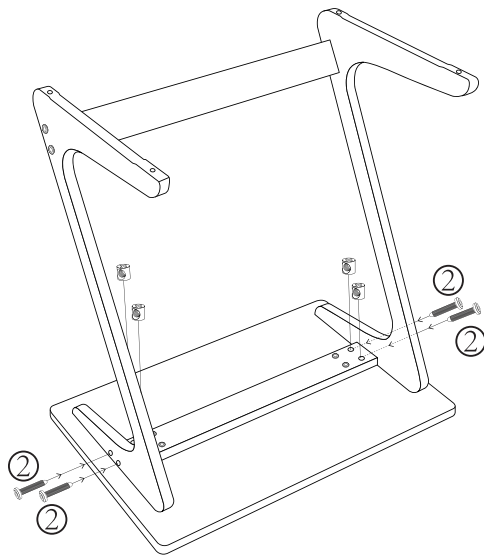
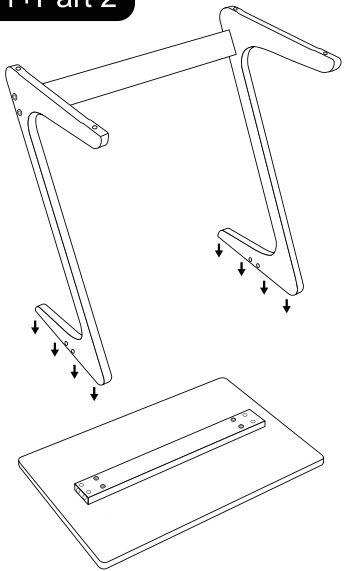
- Note that Part C's above and down side holes are different
- Note that Using the short screw ① to assemble.



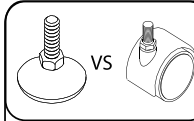
**May be a useless advice but it's worth the warning**

- For ease of viewing, the Part D holes towards us in this guide but for the sake of aesthetics, you can reverse Part D while assembling.

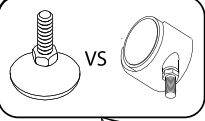
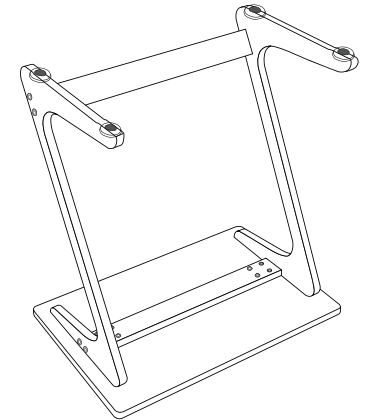
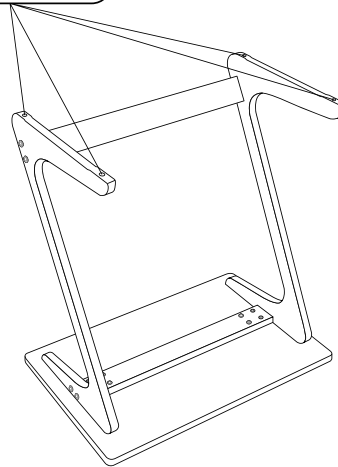
Part 1+Part 2



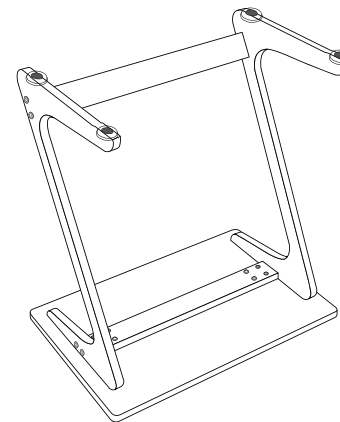
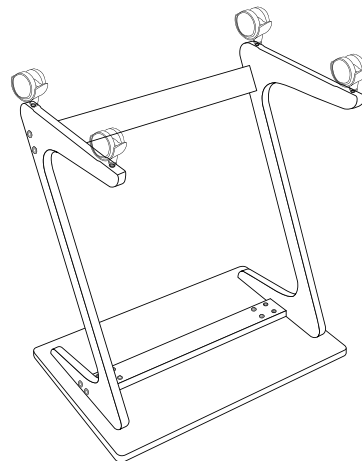
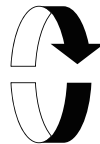
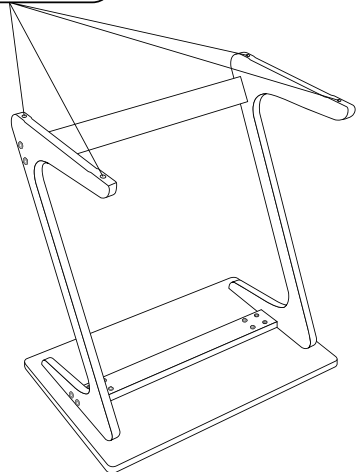
Accessories: Long Screw\*4; Cylindrical Screw\*4



Pick one you like!  
Casters or Leg Levelers



Pick one you like!  
Casters or Leg Levelers



Congratulation! You complete the installation. If you have some screws left, do not worry, they are the spare screws we prepare for you. Or if you have any installation questions, email us at [lilyfu@newwante.com](mailto:lilyfu@newwante.com)