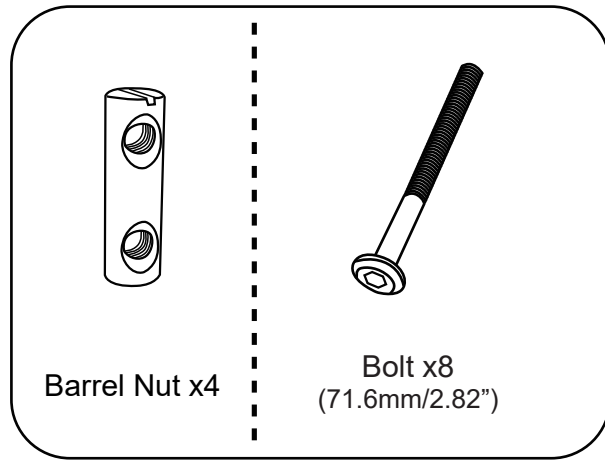
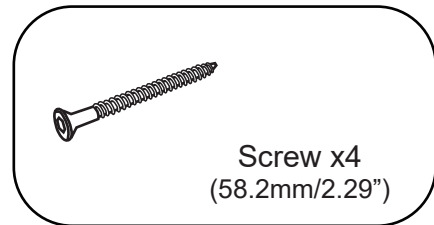


Home Office Table Assembly Manual

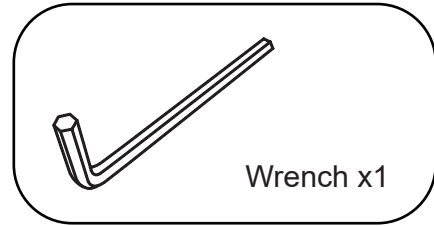


Barrel Nut x4

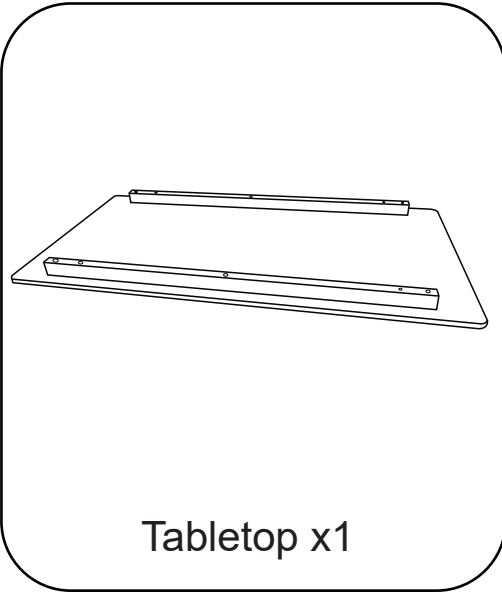
Bolt x8
(71.6mm/2.82")



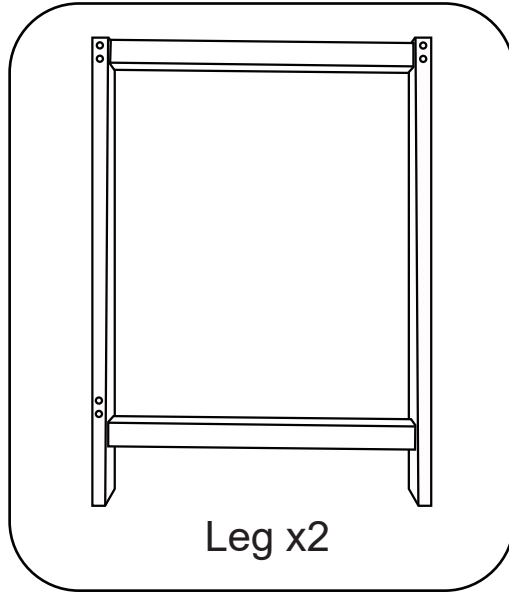
Screw x4
(58.2mm/2.29")



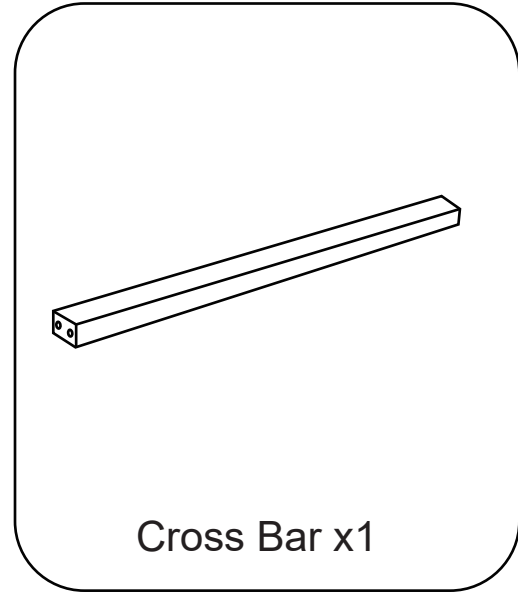
Wrench x1



Tabletop x1

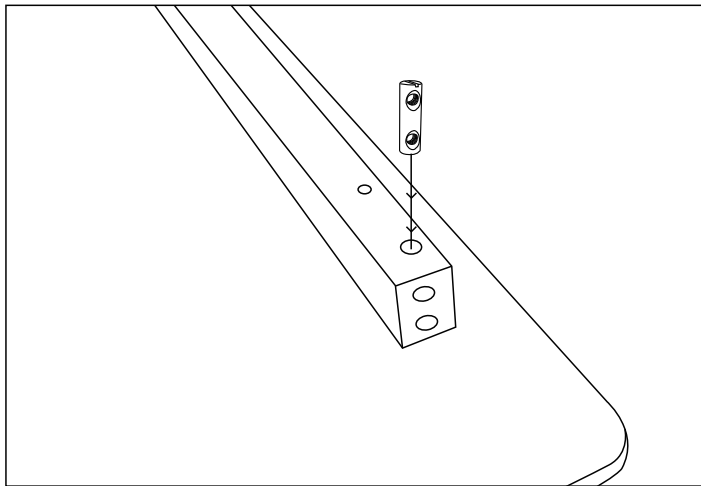


Leg x2

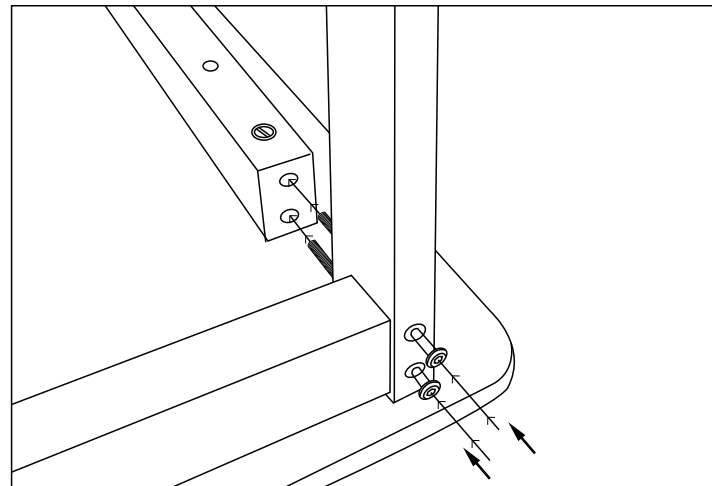


Cross Bar x1

How to use the Barrel Nut and Bolt



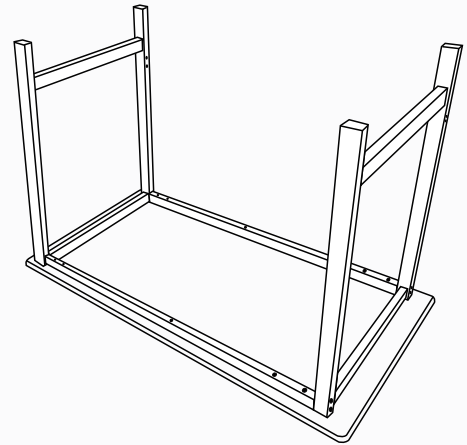
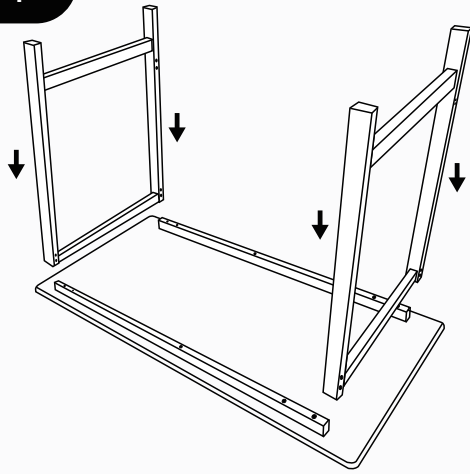
Insert barrel nut with threads facing where bolt will enter from the other side



Bolt go through leg, desk frame to get the barrel nut thread.

(Turn the bolt by hand, might have to wiggle to get the thread started and then tighten it with the supplied Allen wrench)

Step 1

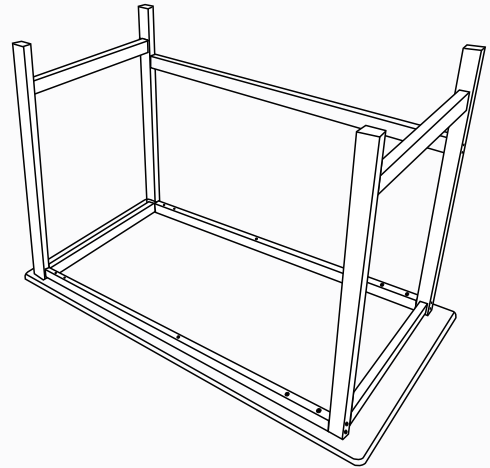
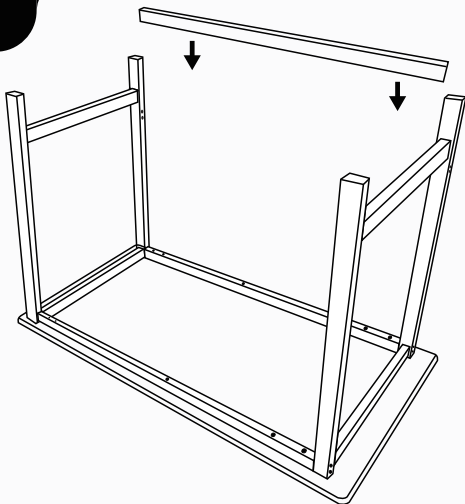


Assessories: Desktop x1; Leg x 2; Barrel Nut x4; Bolt x 8

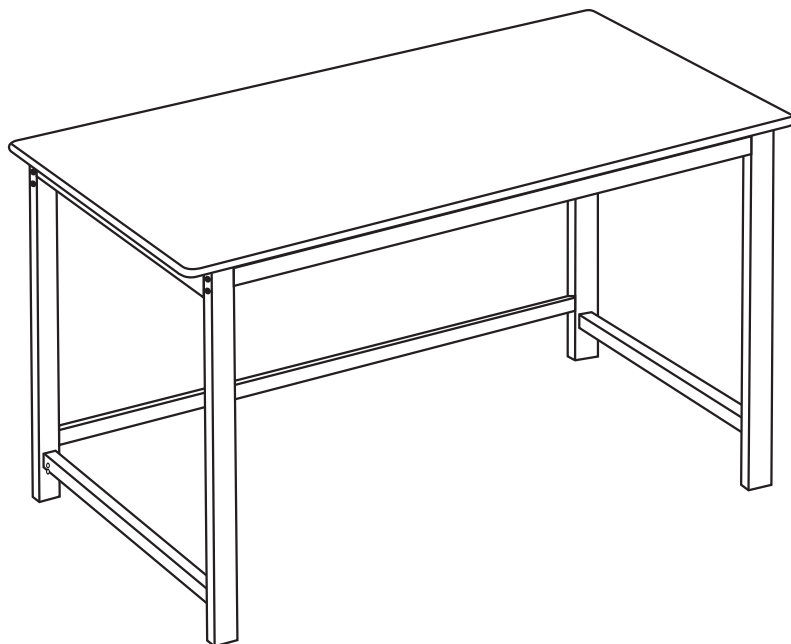
Tips:

- 4 screws of each leg should be put in the holes together
- Tighten the 4 screws TOGETHER until all 4 screws are completely done

Step 2



Assessories: Cross Barx1; Screw x4



Congratulation! You complete the installation, if you have some screws left, do not worry, they are the spare screws we prepared. If consult install or have any question , email us at lilyfu@newvante.com