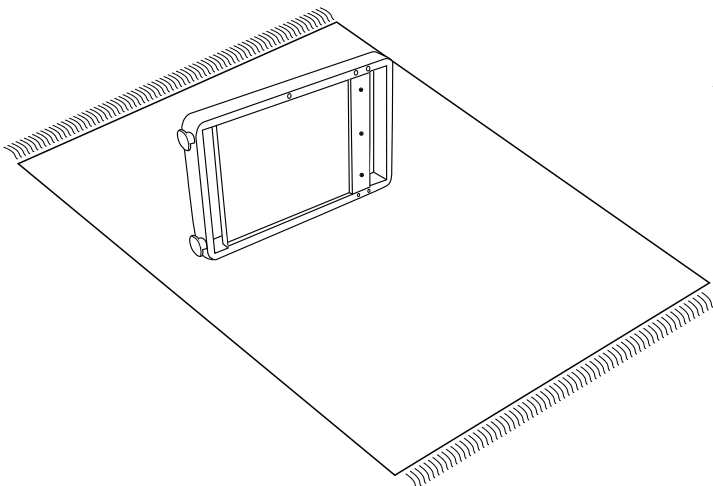
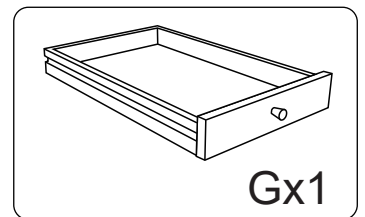
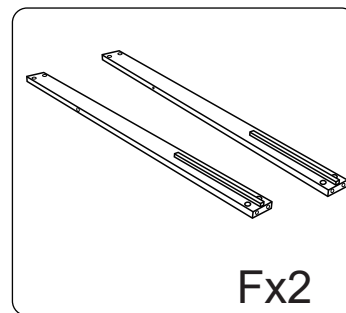
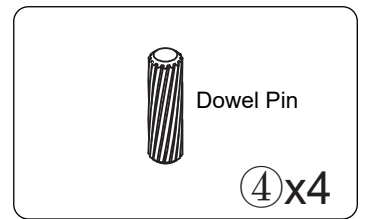
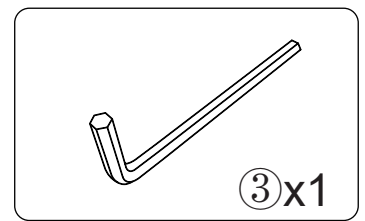
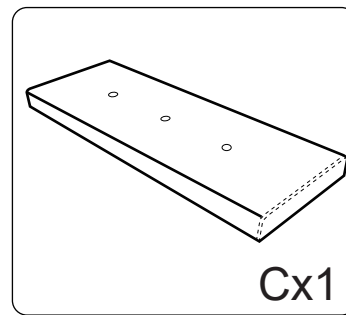
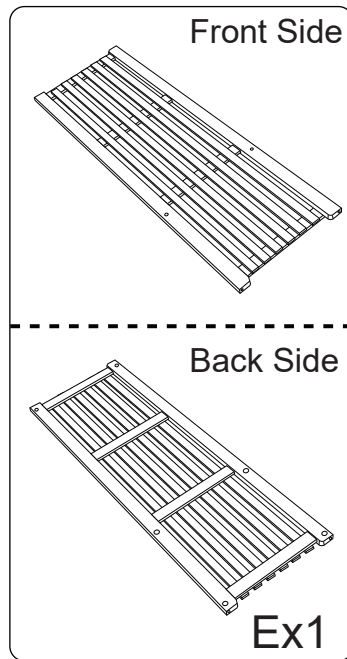
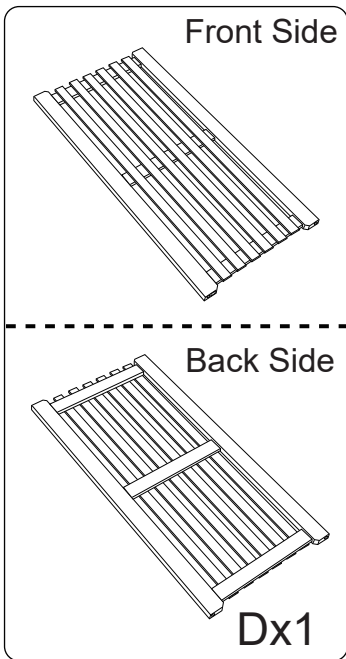
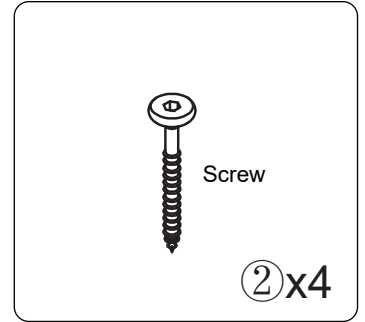
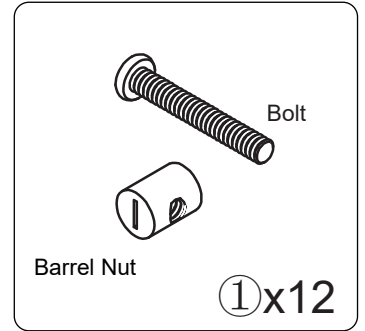
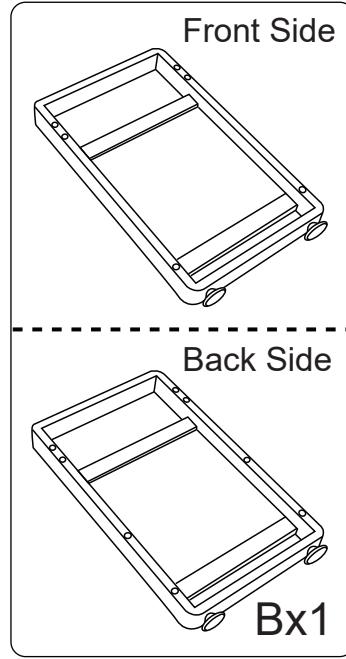
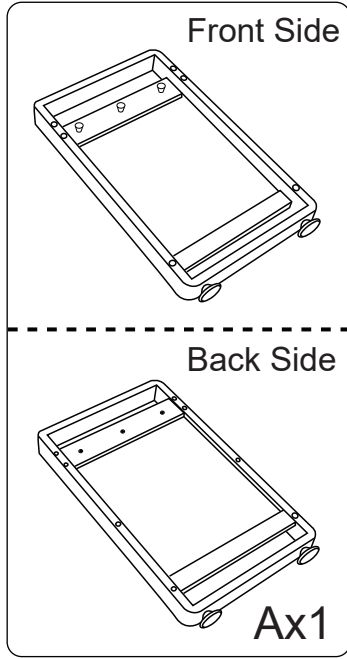
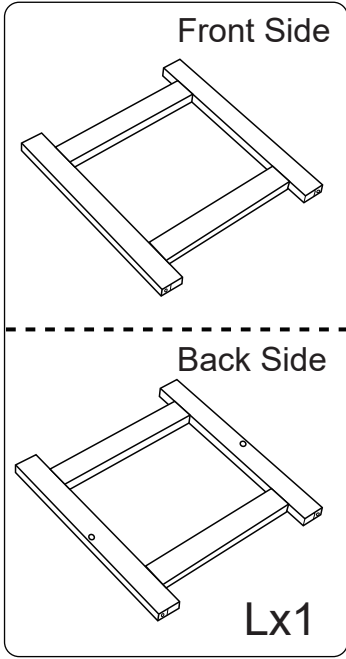
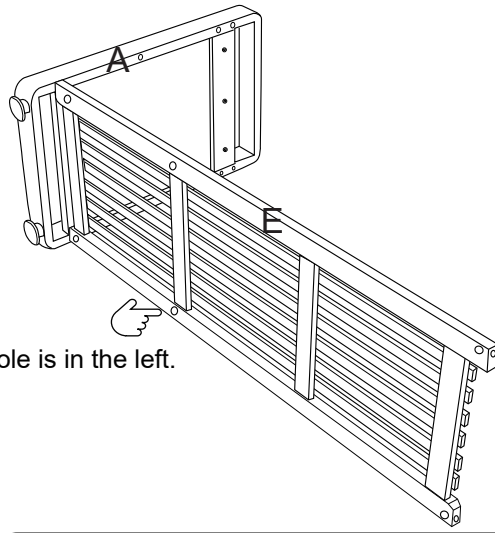


SR001 Shoe Bench Assembly Guide



Place package's pearl cotton under or on your blanket

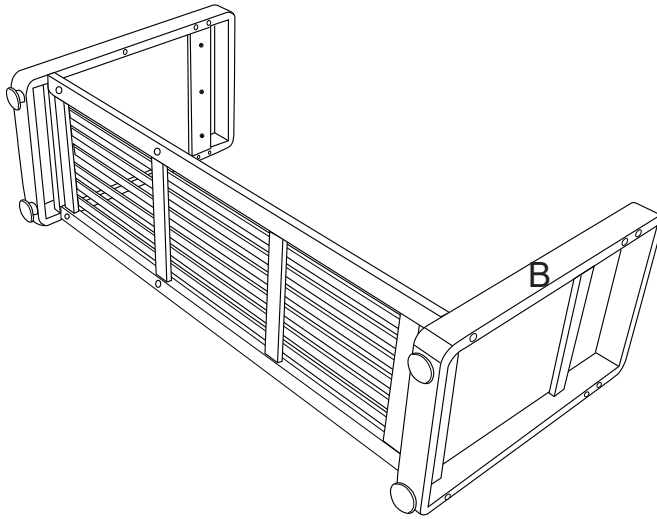
Step 1



Note: The screw hole is in the left.

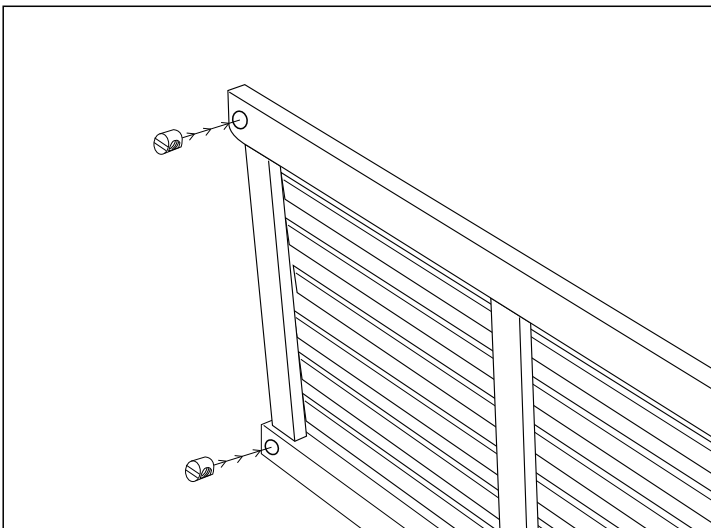
Accessories: Ax1;Ex1; ① Boltx2+① Barrel Nutx2

Step 2

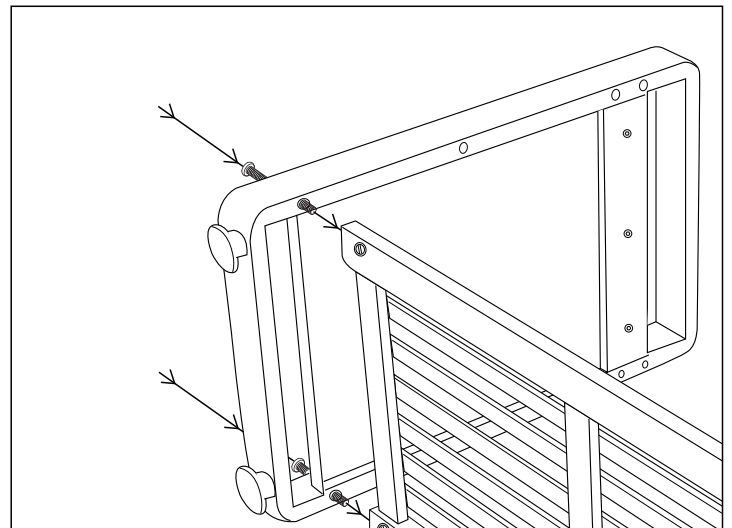


Accessories: Bx1; ① Boltx2+① Barrel Nutx2

How to use the Barrel Nut and Bolt



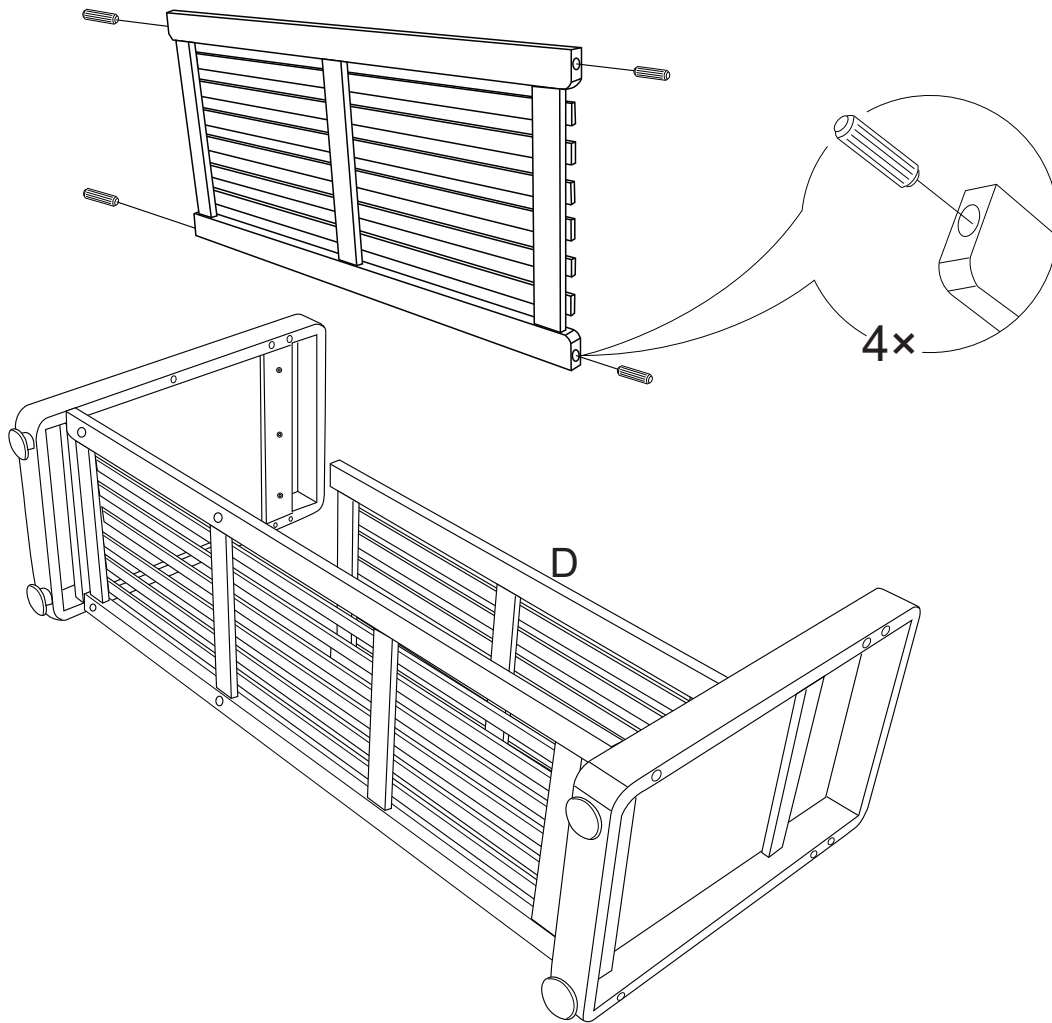
1. Insert barrel nut with threads facing where bolt will enter from the other side



2. Bolt go through frame to get the barrel nut thread.

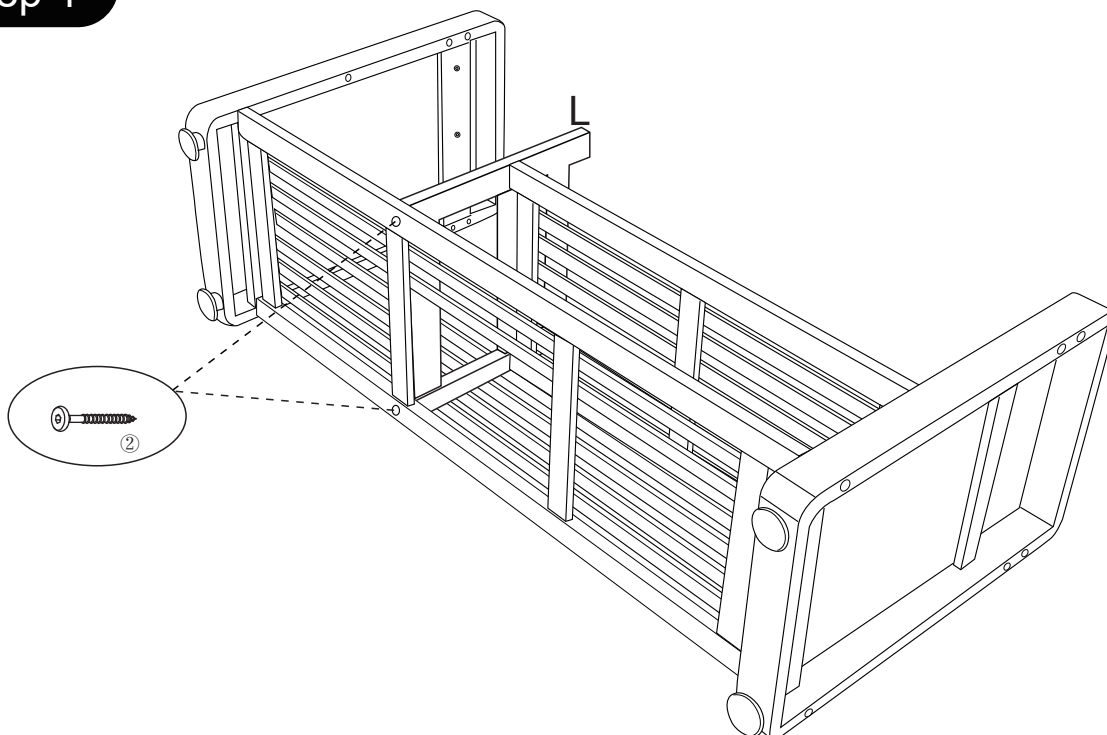
(Turn the bolt by hand, might have to wiggle to get the thread started and then tighten it with the supplied Allen wrench)

Step 3



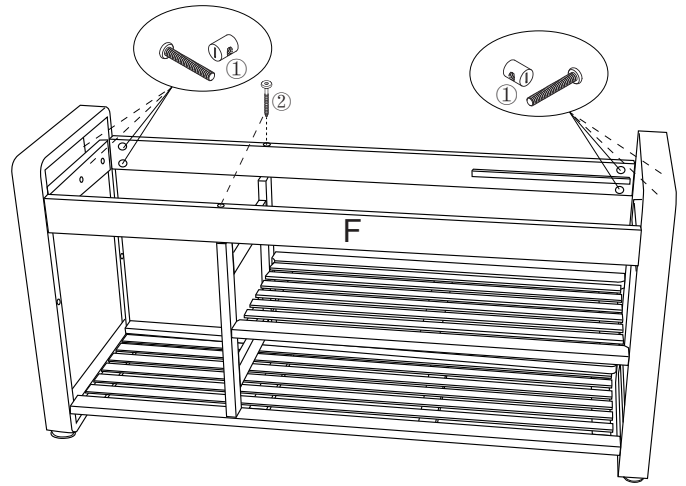
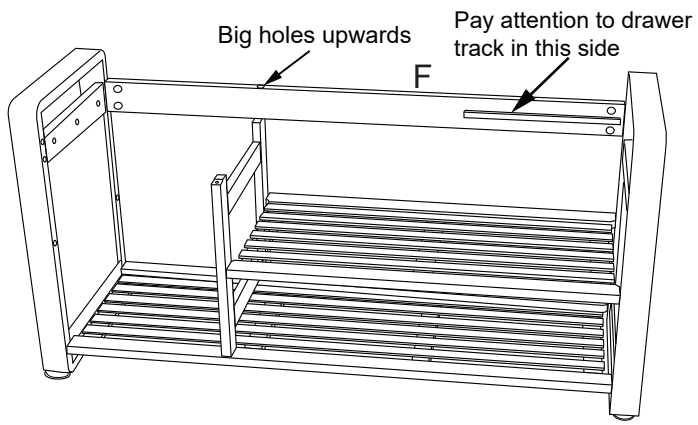
Accessories: Dx1; ④ Dowel Pinx4

Step 4



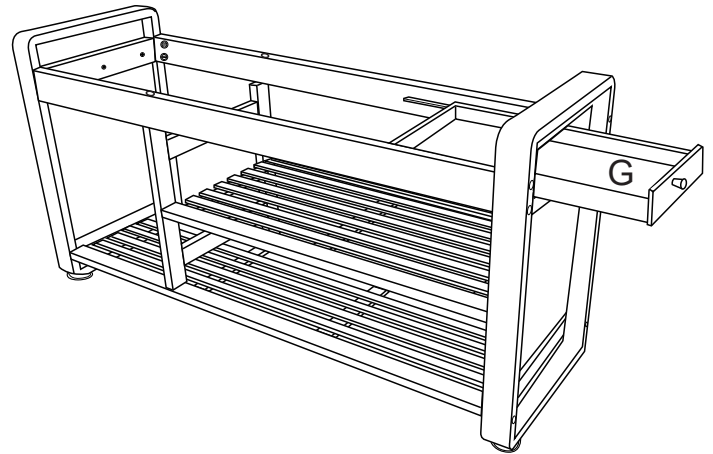
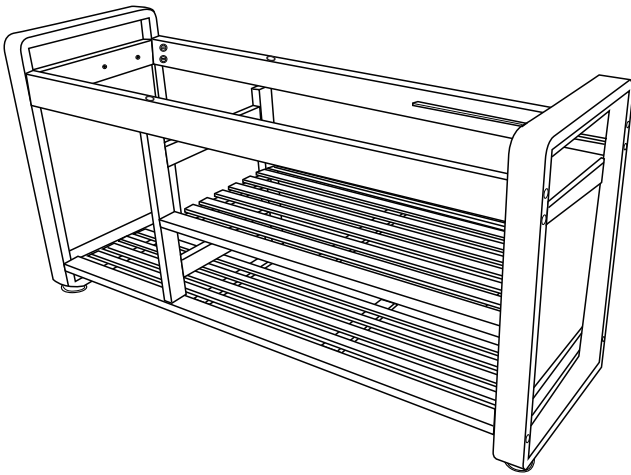
Accessories: Frame L x 1; ② Screw x 2

Step 5



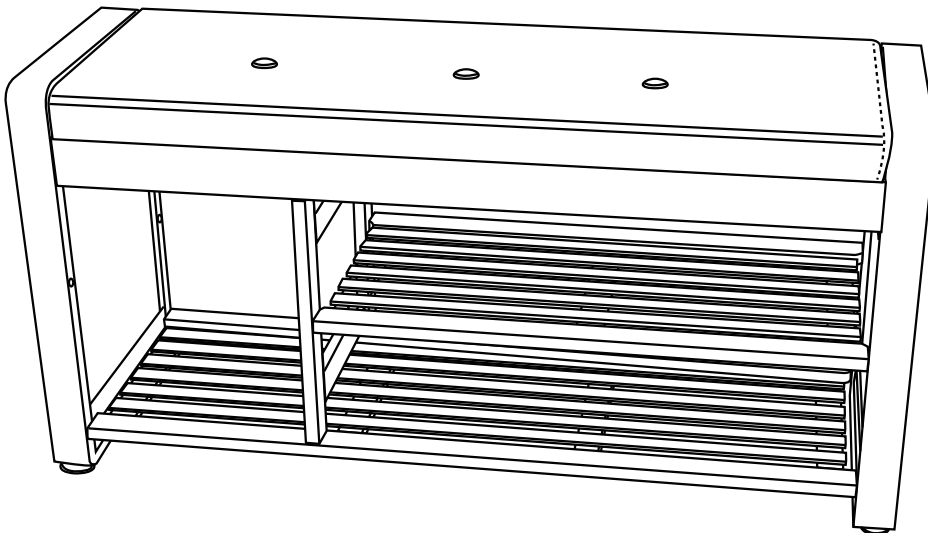
Accessories: Fx2; ① Boltx4+① Barrel Nutx4;② Screwx2

Step 6



Accessories: G Side Drawer x1

Put on the leather seat, Done!



Scan the code to
watch Assembly Video

Congratulation! You complete the installation, if you have some screws left, do not worry, they are the spare screws we prepared. If consult install or have any question , email us at lilyfu@newwante.com