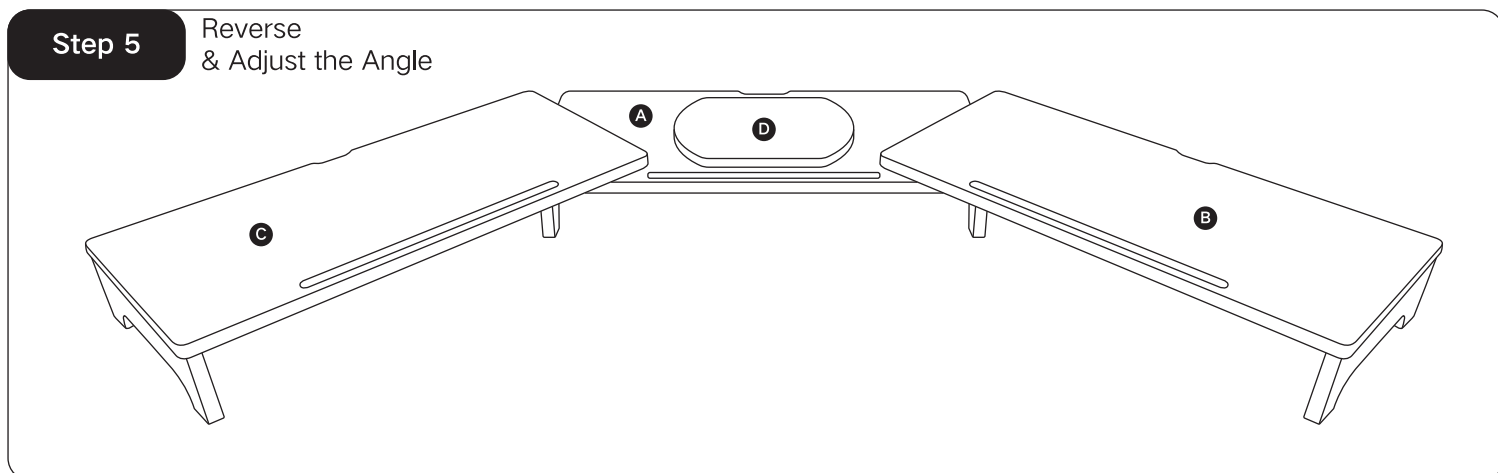
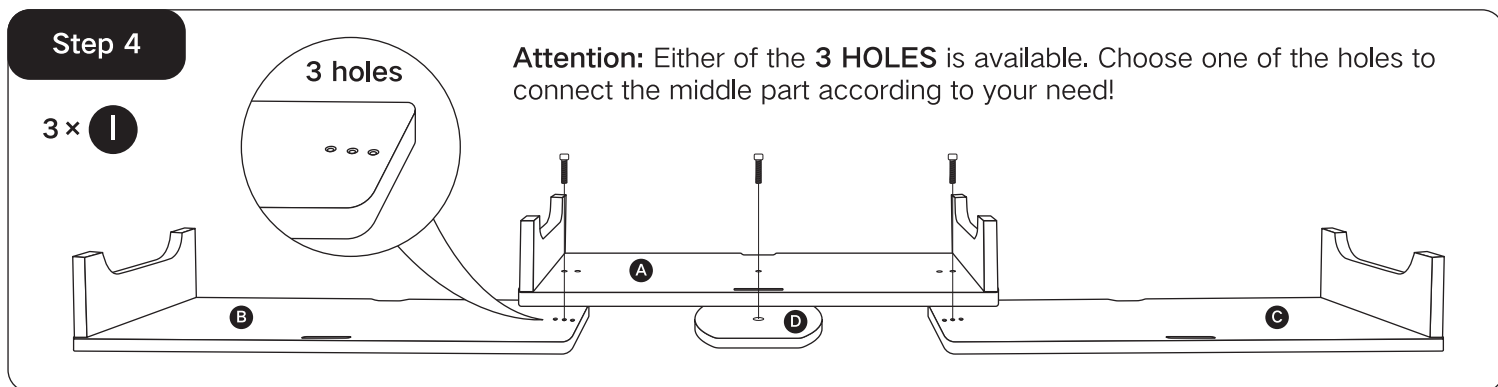
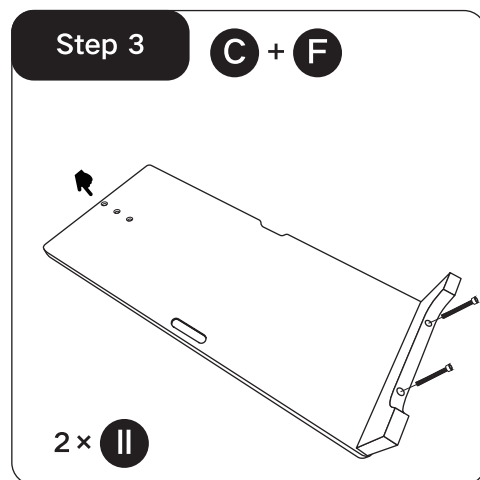
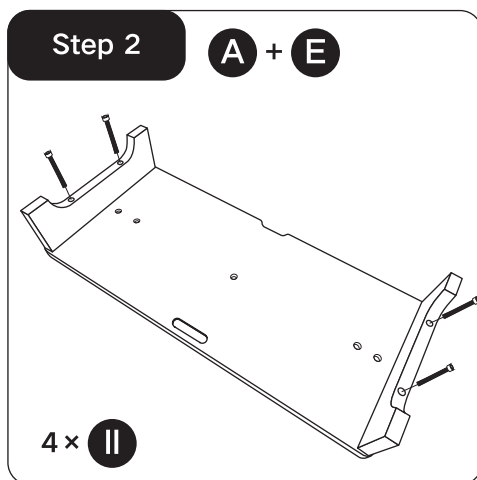
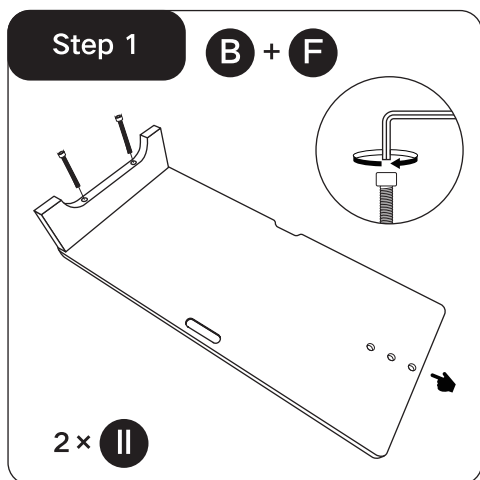
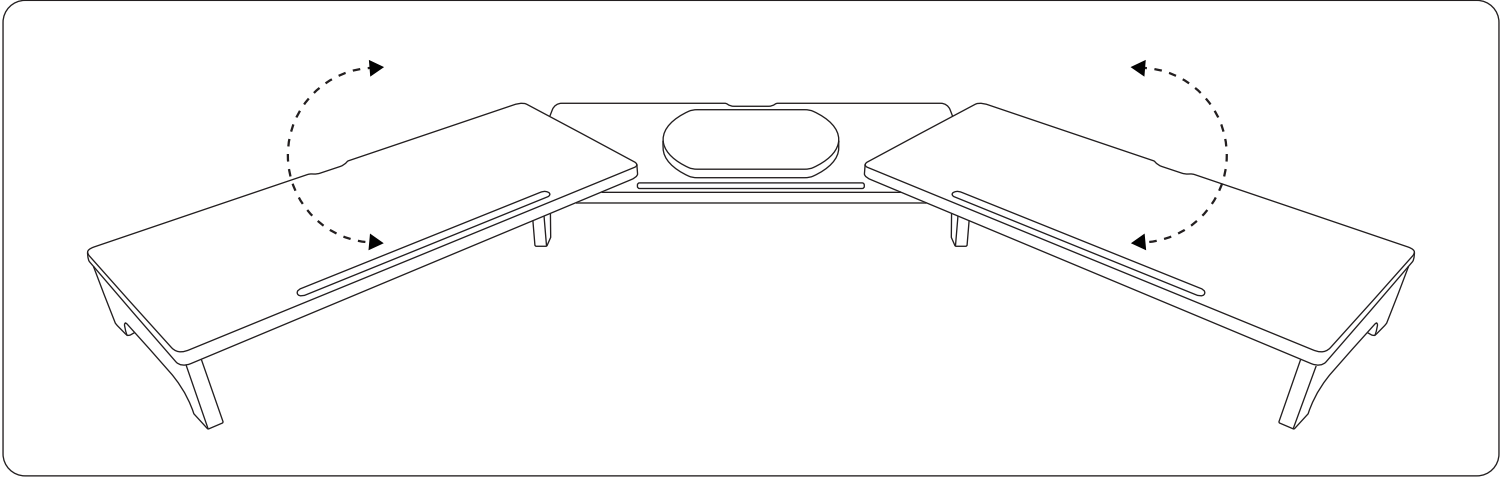


Instructions of Triple Monitor Stand

	The Front Side	The Back Side		
A × 1 Middle Part			D × 1	
B × 1			E × 2	
C × 1			F × 2	
			Tools	

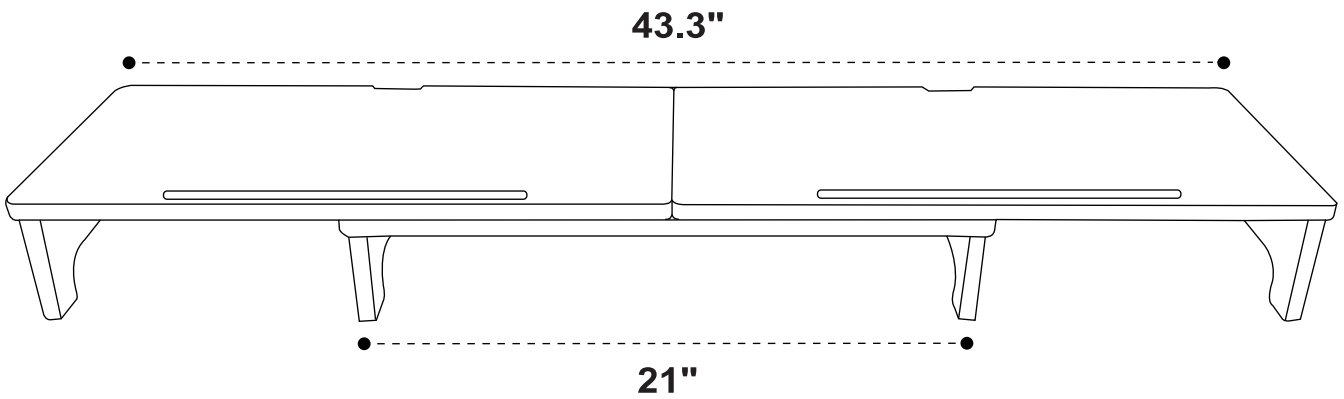


Angle Adjustable

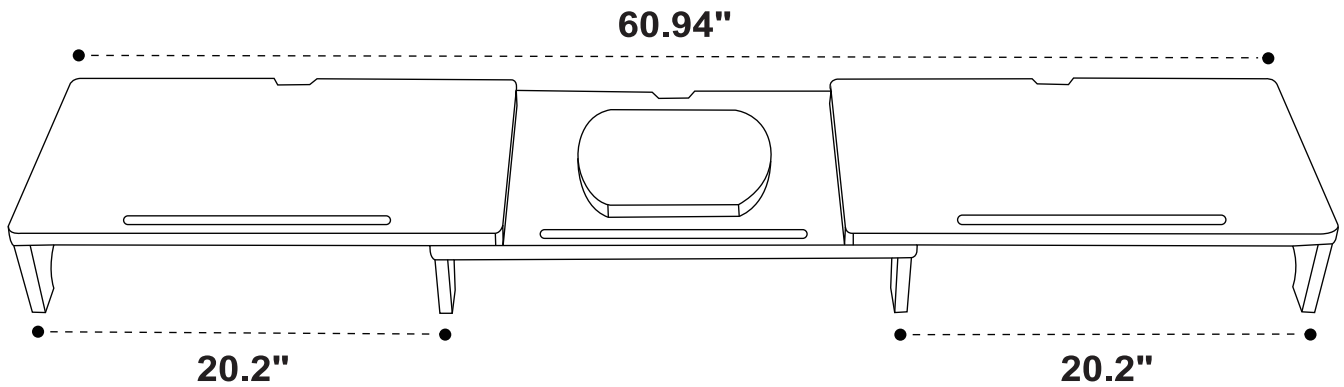


Length Extended Range 43.3" - 60.94"

Shortest Length — Remove **D** Board



Longest Length



Congratulation! You complete the installation. If you have some screws left, do not worry, they are the spare screws we prepared. If consult installation or have any questions, feel free to reach us via our aftersales email: Lilyfu@newvante.com