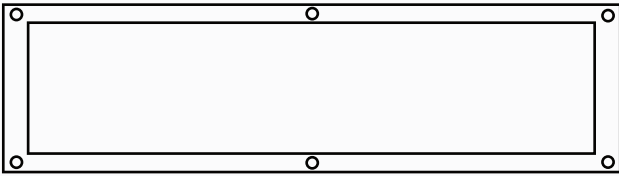
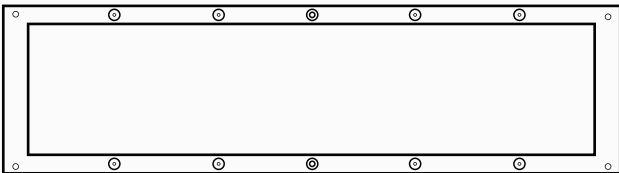


# Plant Stand/Side Table Assembly Manual

Front Side

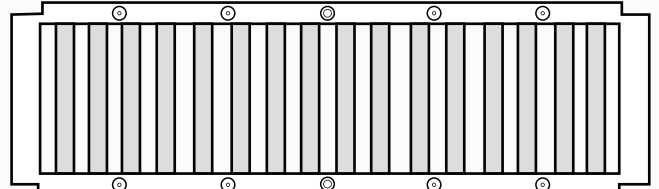


Back Side

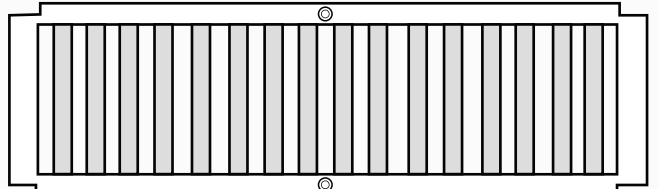


A×1

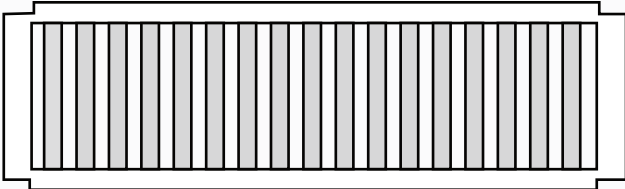
Front Side



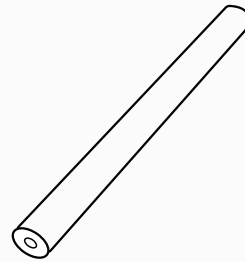
Back Side



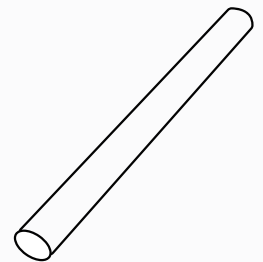
C×1



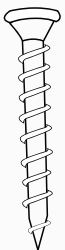
B×1



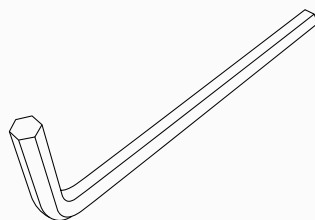
Pole with  
Hole ×2



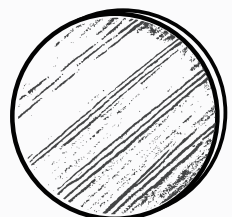
Pole with  
No Hole ×8



×24



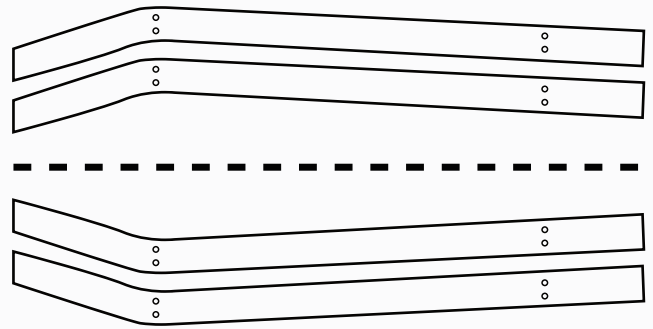
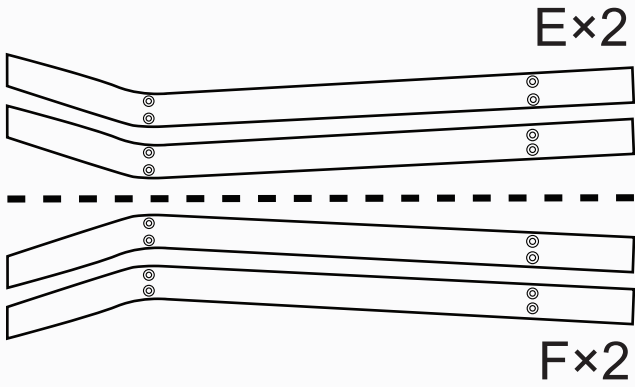
Wrench×1



Wood grain sticker×22

Front Side

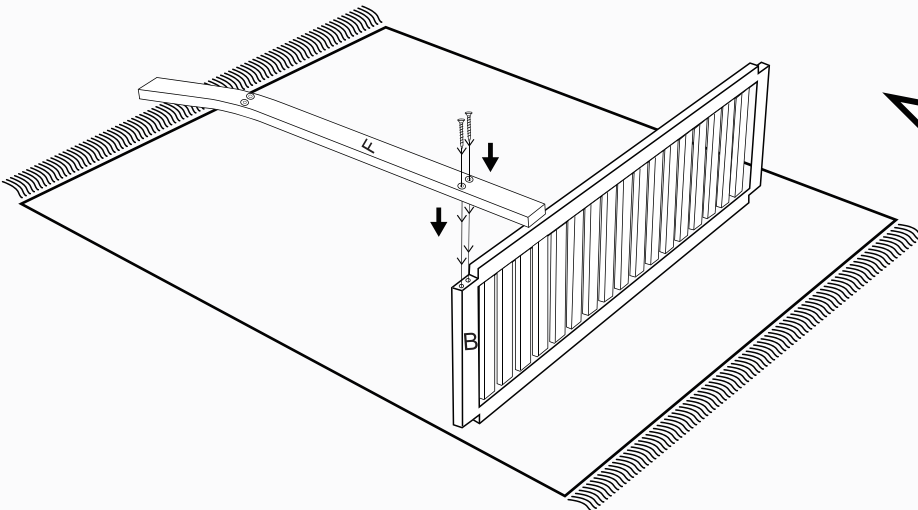
Back Side



Big Holes Upwards

Small Holes Upwards

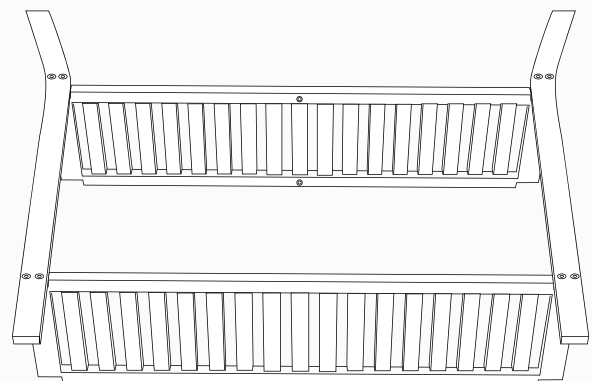
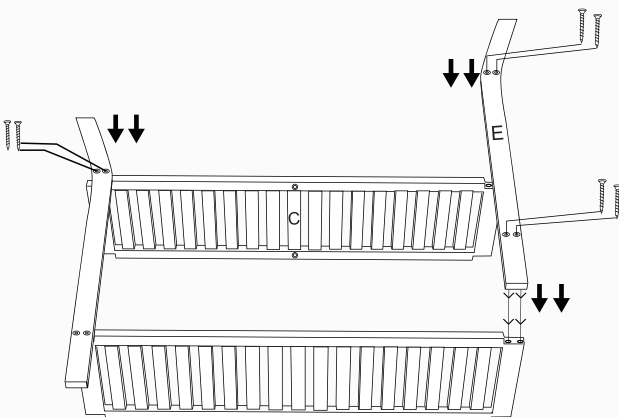
Step 1



One Person can assemble, too  
Place package's pearl cotton under or on your blanket

Accessories: 2\* Screws; F Leg\*1; B Shelf\*1

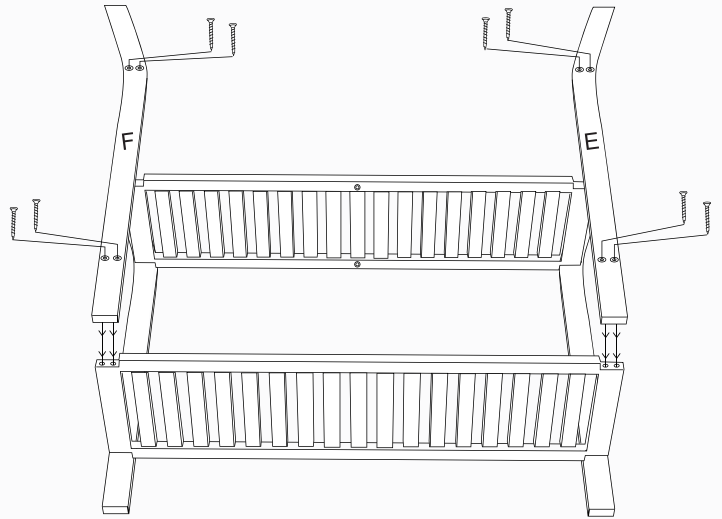
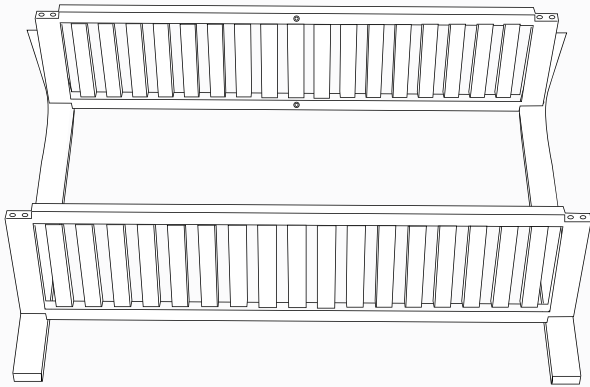
Step 2



Accessories: 6\* Screws; E Leg\*1; C Shelf\*1

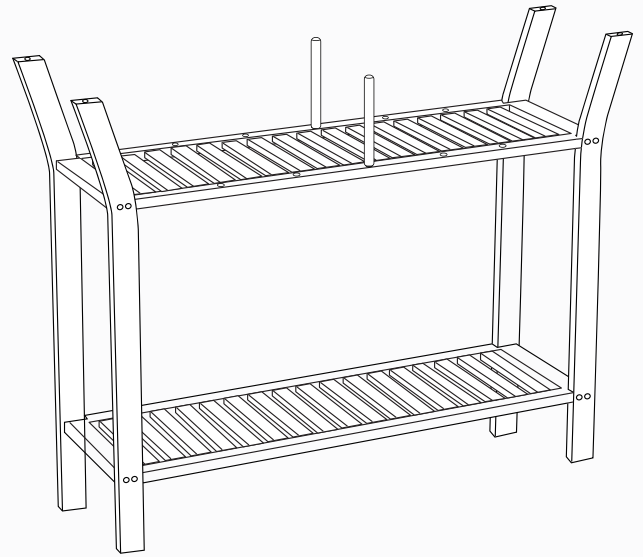
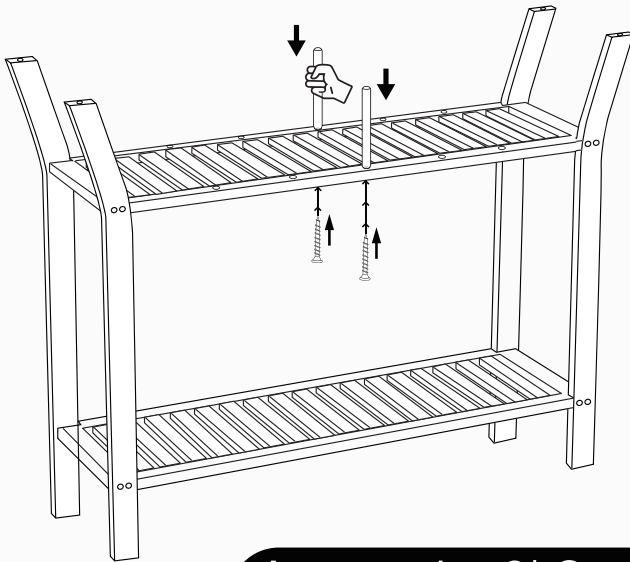
Note: In this view, you will see C Shelf's back side

### Step 3



Accessories: 8\* Screws; E Leg\*1; F Leg\*1

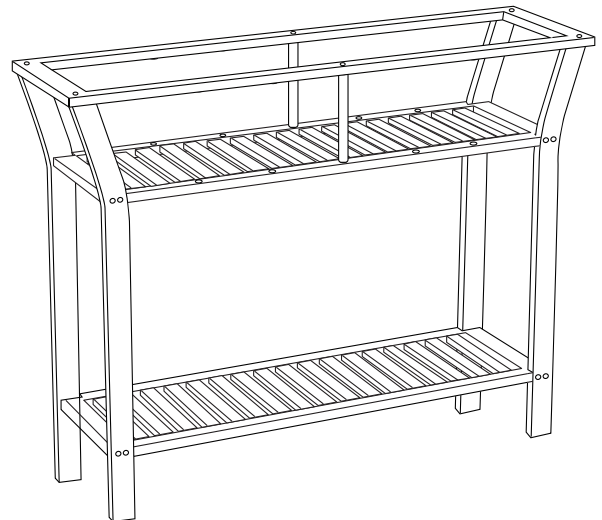
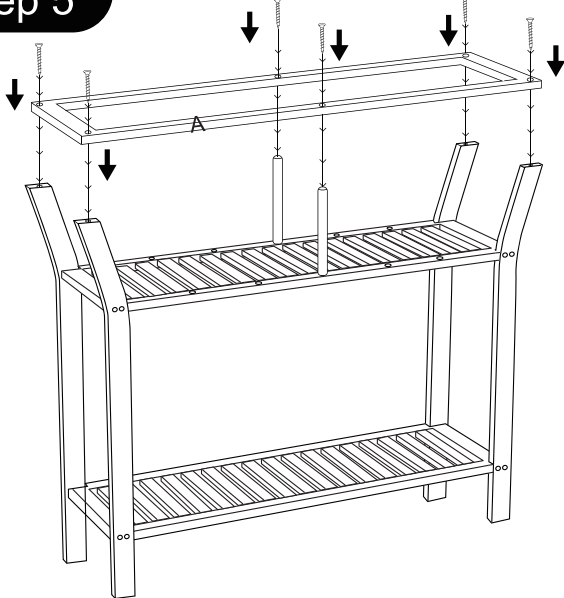
### Step 4



Accessories: 2\* Screws; 2\* Pole with hole

Note: Grip the pole to tighten the screws

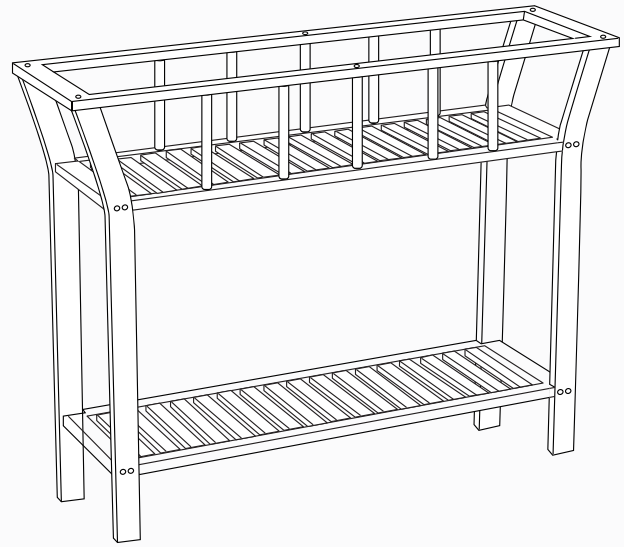
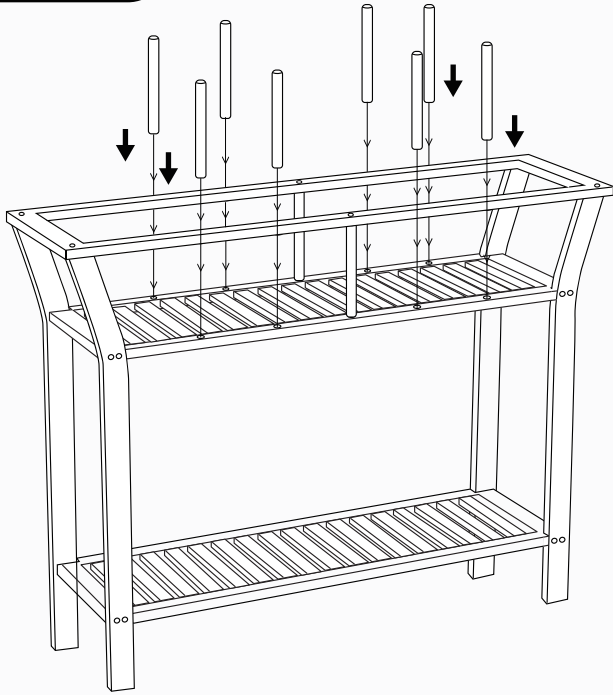
### Step 5



Accessories: 6\* Screws; A Frame\*1

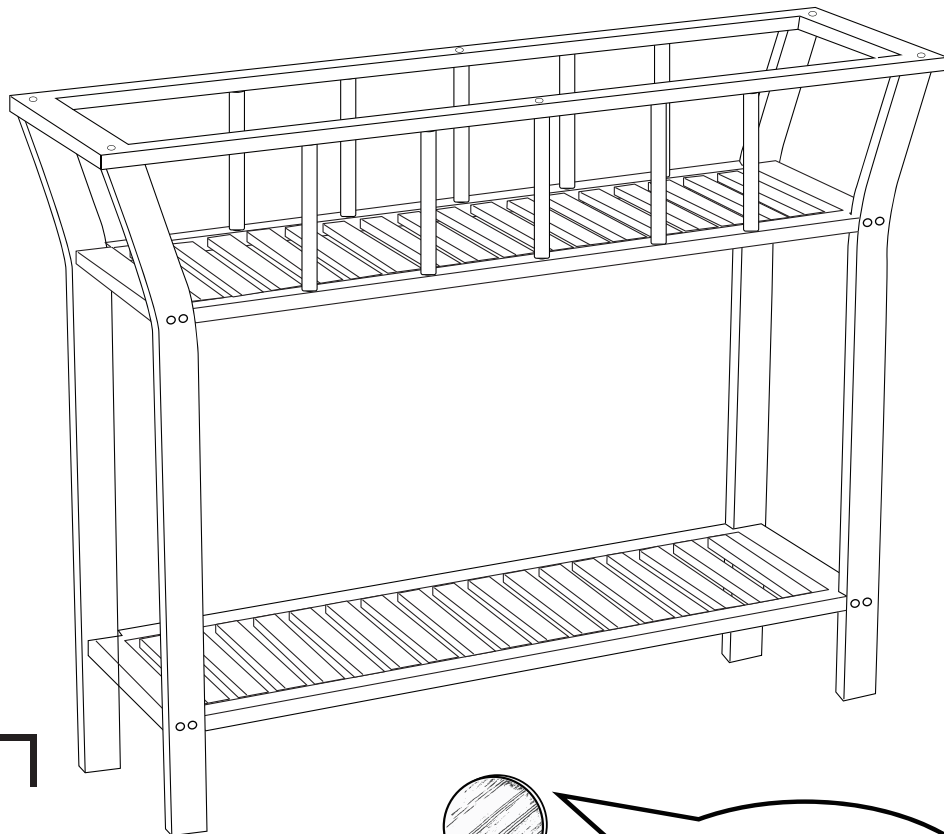
DO NOT FULLY TIGHTEN SCREWS

## Step 6

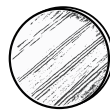


**Accessories: 0 Screws; 8\* Pole with no hole**

Note: Maybe Be Patient! Align the Pole's holes and Shelf one by one. Then, tighten all screws.



Scan the code to  
watch Assembly Video



At your option, you can use  
the Wood Grain Stickers to  
cover the screw holes after  
assembling.

Congratulation! You complete the installation, if you have some screws left, do not worry, they are the spare screws we prepared. If consult install or have any question , email us at [lilyfu@newvante.com](mailto:lilyfu@newvante.com)