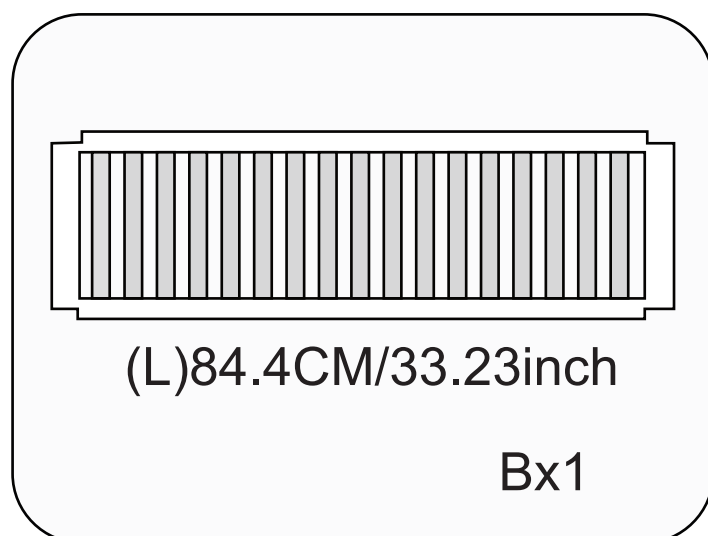
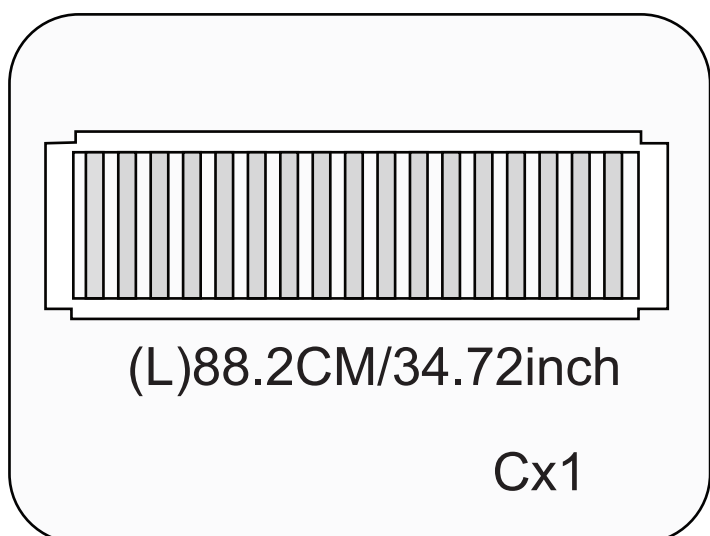
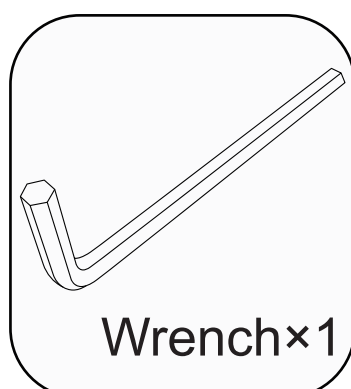
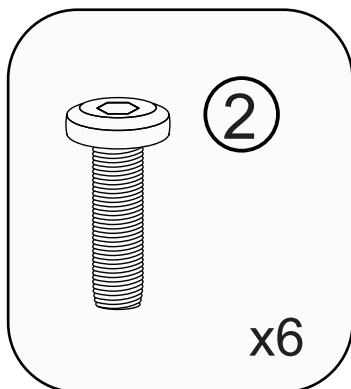
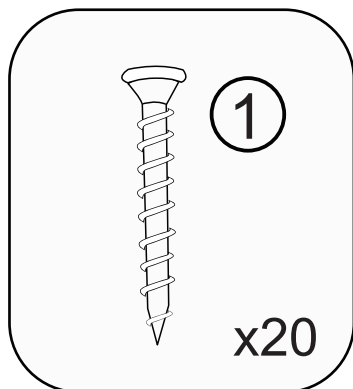
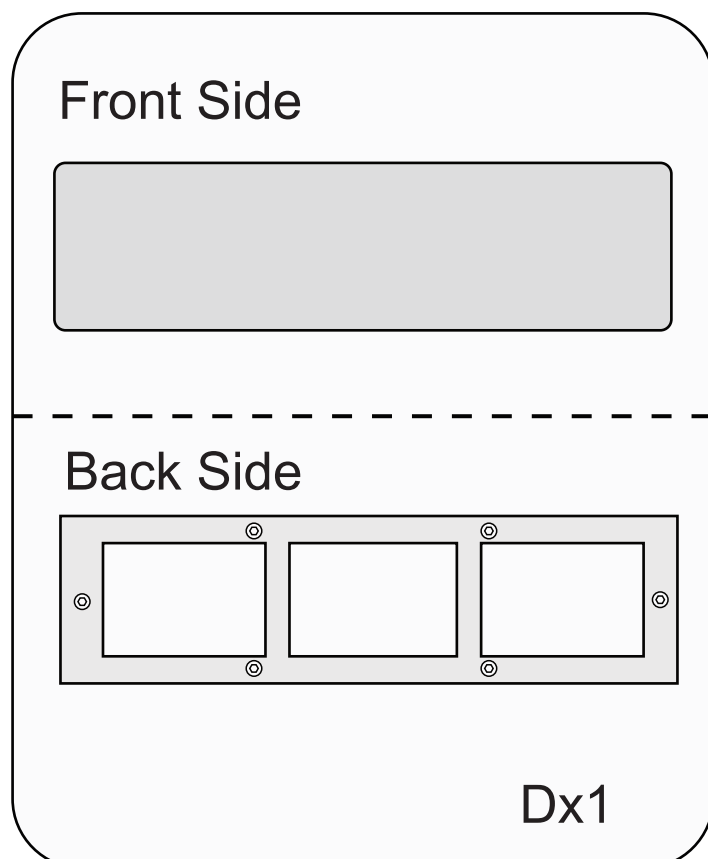
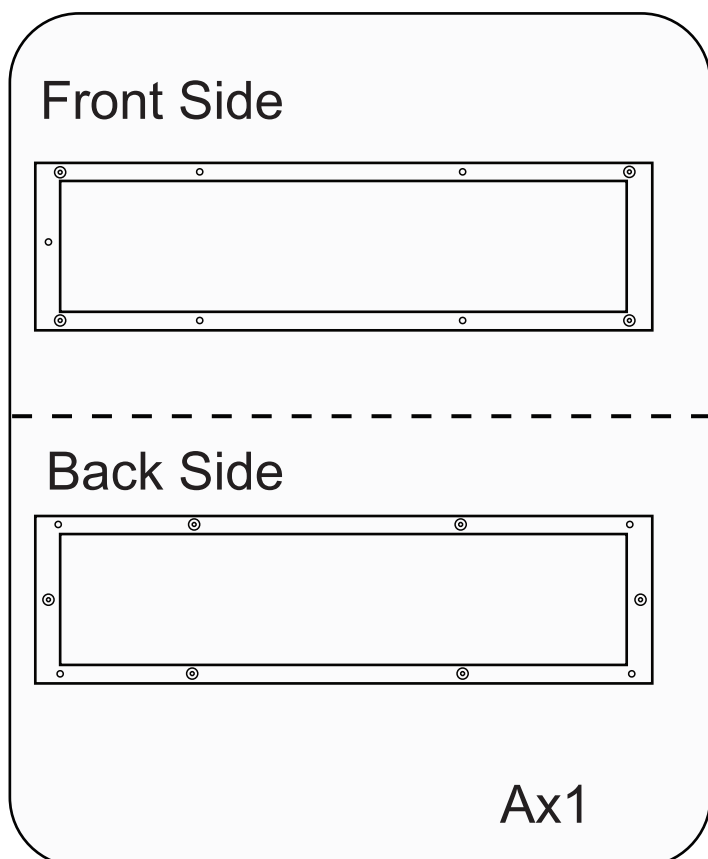


Console Table

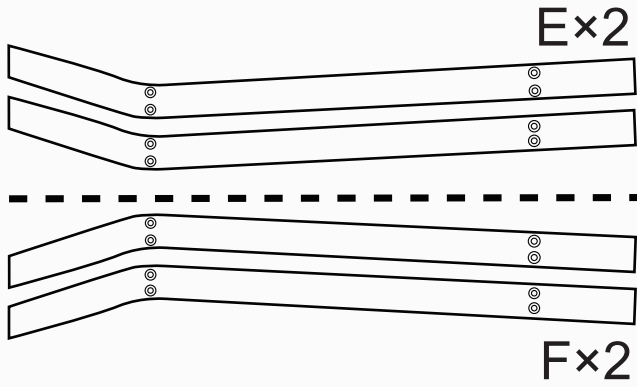
Assembly Manual



Note: C Shelf is Longer than B Shelf

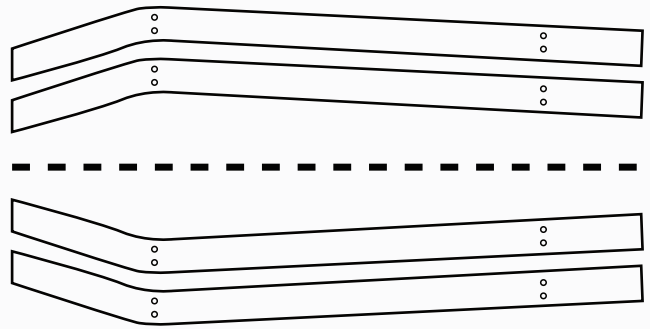


Front Side



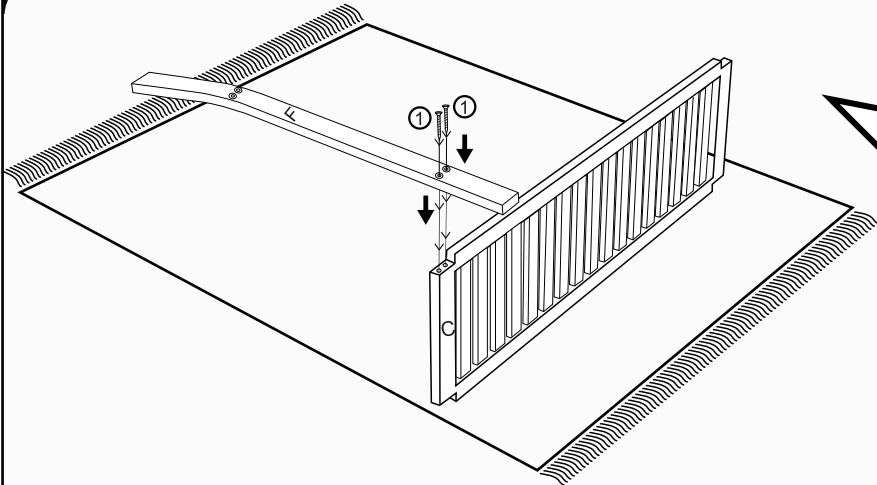
Big Holes Upwards

Back Side



Small Holes Upwards

Step 1

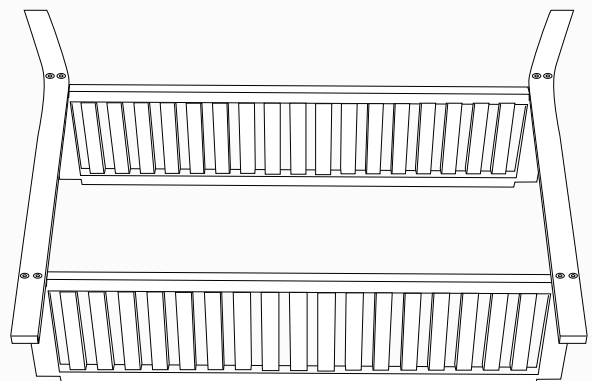
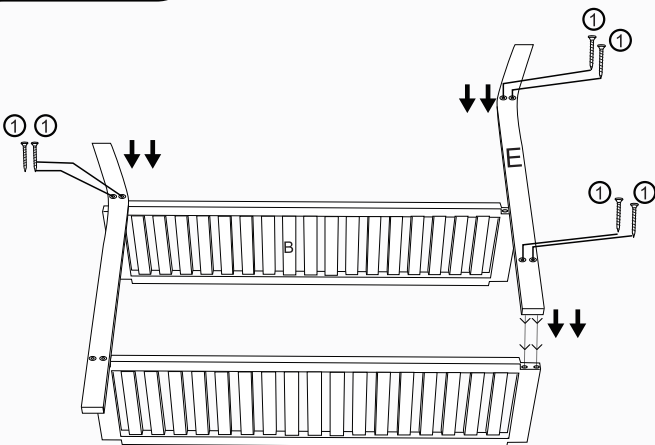


One Person can assemble, too

Place package's pearl cotton under or on your blanket

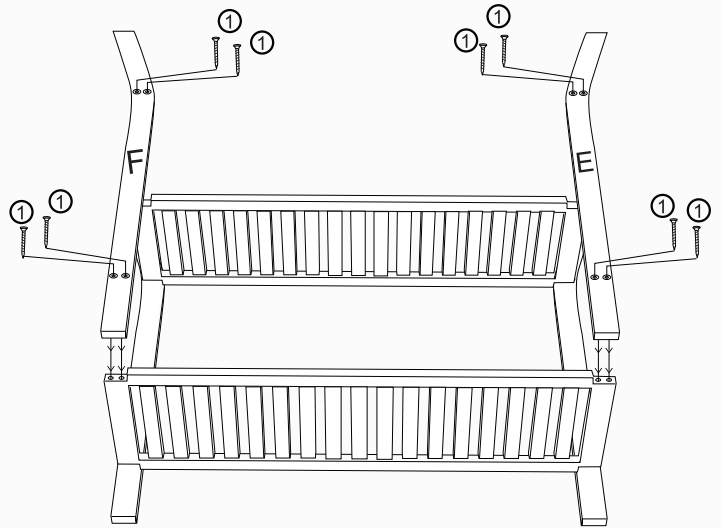
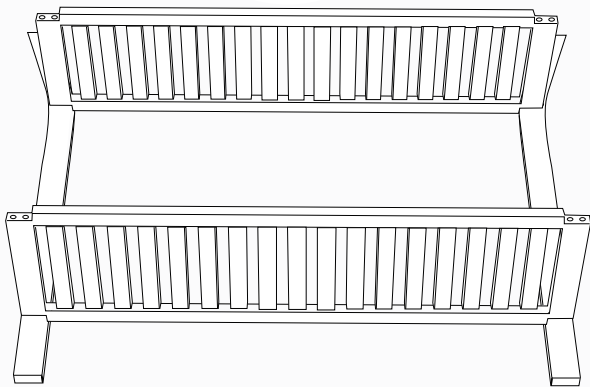
Accessories: Long Screw ①*2; F Leg*1; C Shelf*1

Step 2



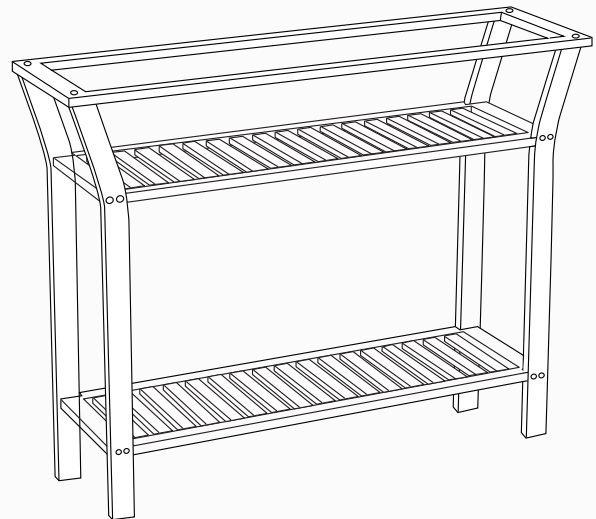
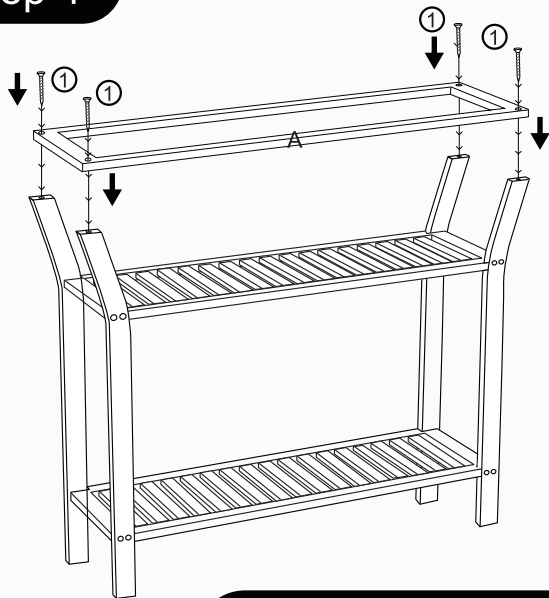
Accessories: Long Screw ①*6; E Leg*1; B Shelf*1

Step 3



Accessories: Long Screw ①*8; E Leg*1; F Leg*1

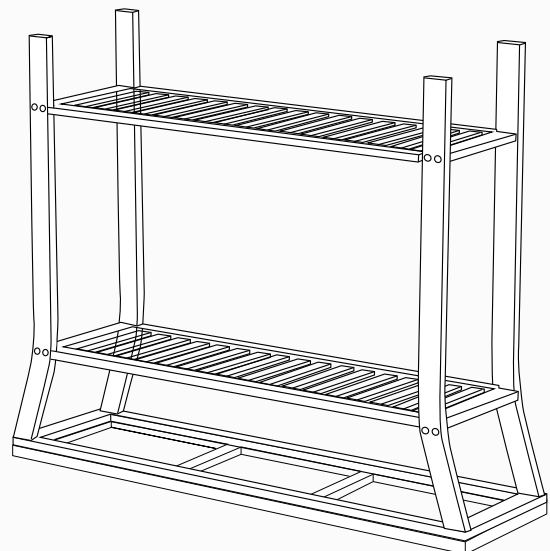
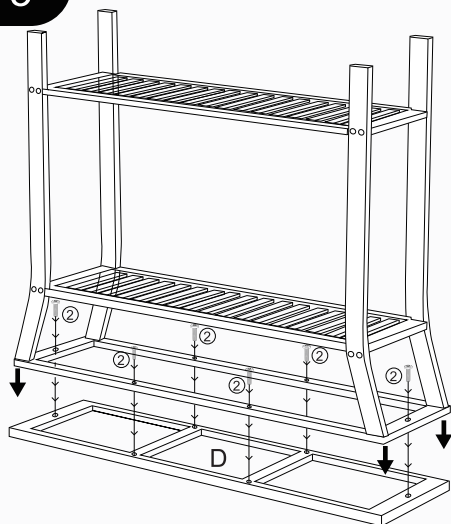
Step 4



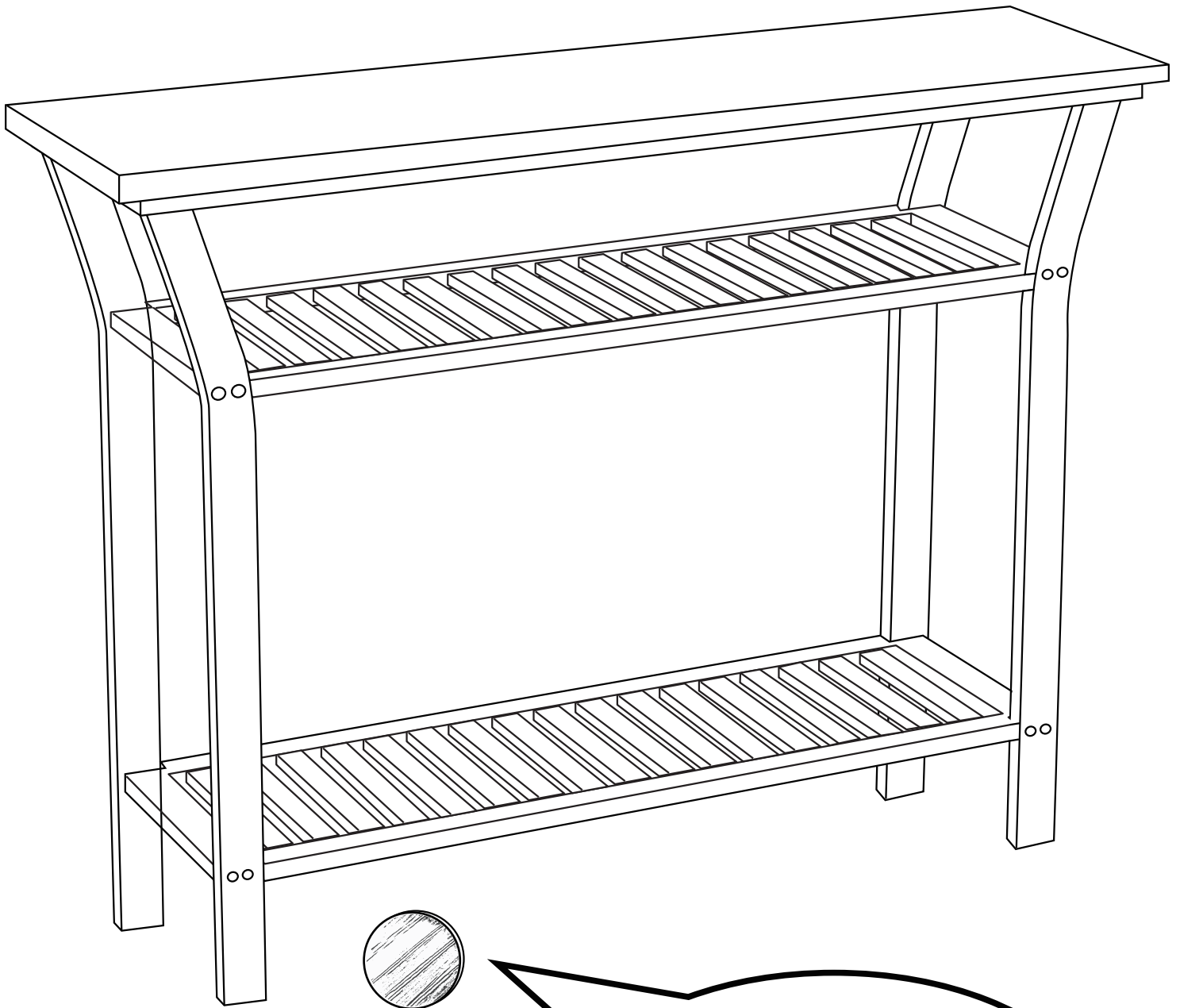
Accessories: Long Screw ①*4; A Frame*1

Note: A Frame's front side is upwards

Step 5



Accessories: Short Screw ②*6; D Board*1



At your option, you can use the Wood Grain Stickers to cover the screw holes after assembling.



Scan the code to watch Assembly Video

Congratulation! You complete the installation, if you have some screws left, do not worry, they are the spare screws we prepared. If consult install or have any question , email us at lilyfu@newvante.com