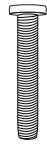
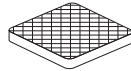




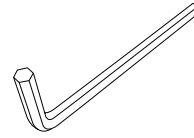
I x 12



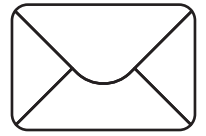
II x 12



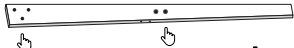
(Already on Leg)
Foot Pads x 4



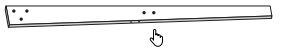
x 1



Lilyfu@newwante.com



big holes A x 1

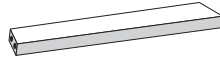


small holes B x 1

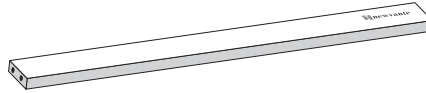


no holes C x 2

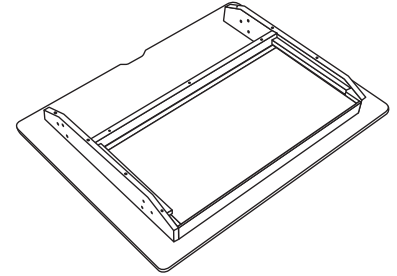
Same Direction



D x 2

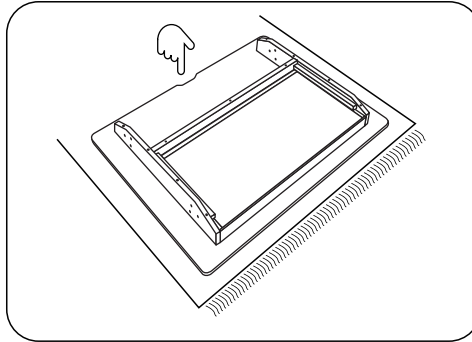


E x 1



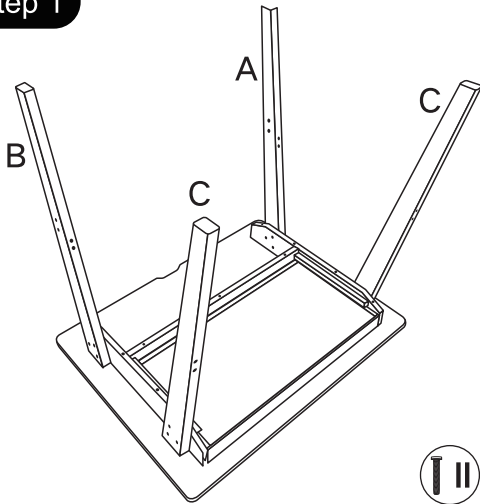
x 1

CD80 Computer Desk Assembly Guide



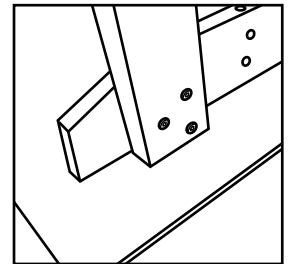
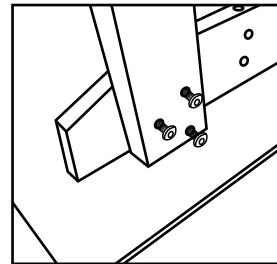
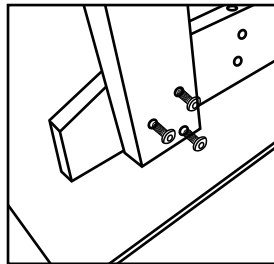
Place package's pearl cotton under or on your blanket

Step 1

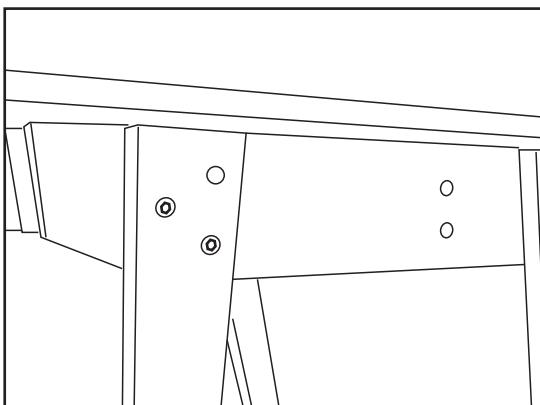


Tips for screws:

- Align the 3 screws together
- Tighten the 3 screws TOGETHER until all 3 screws completely done

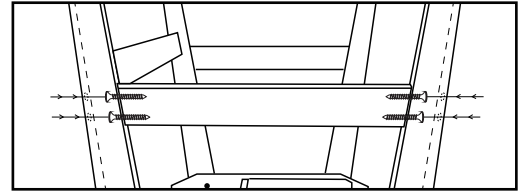
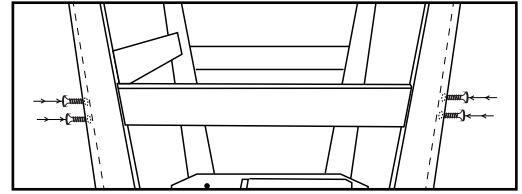
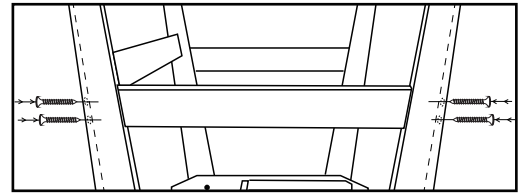
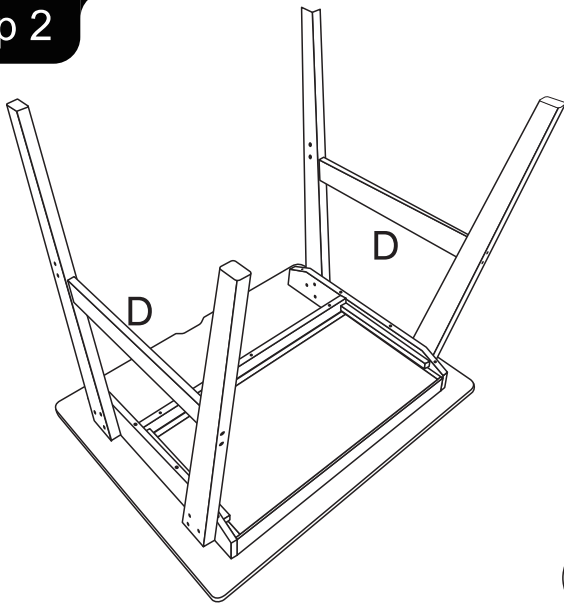


Assessories: Desktopx1; A Legx1; B legx1; C legx2; Screw IIx12



IF NOT, it may happen the situation that seems like screw holes are not aligned and the 3rd screw is unable to screw in.

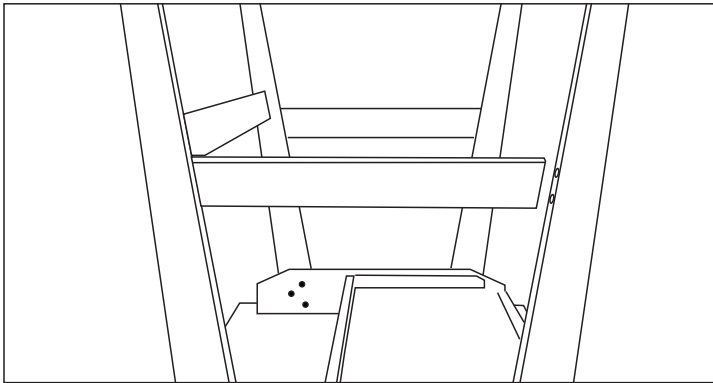
Step 2



Tips for screws:

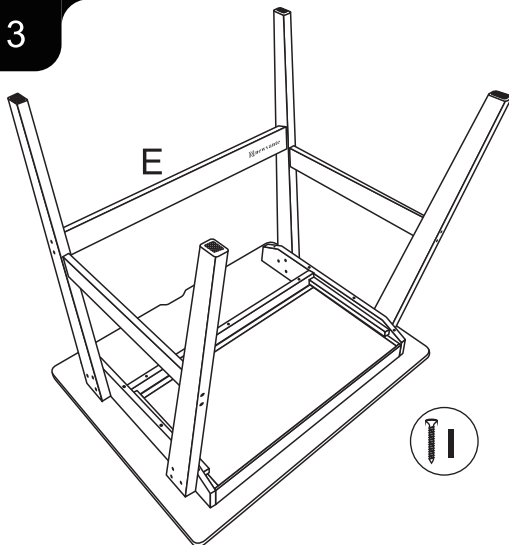
- Place the 2 screws in both right & left side
- Tighten the 4 screws TOGETHER until all 4 screws completely done

Assessories: D legx2; Screw I x8



IF NOT, it may happen the situation that seems like D board is too short to be assembled

Step 3



Assessories: E legx1; Screw I x4

Step 4



Stick the Feet Pad; Sometimes, it is pre-sticked

Congratulation! You complete the installation, if you have some screws left, do not worry, they are the spare screws we prepared. If consult install or have any question, email us at lilyfu@newwante.com