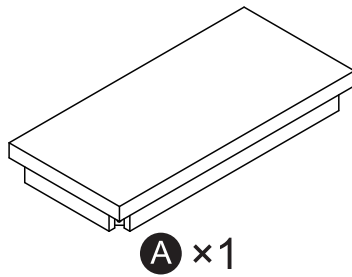
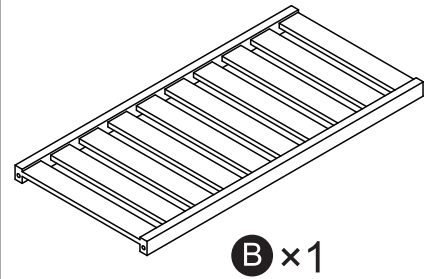


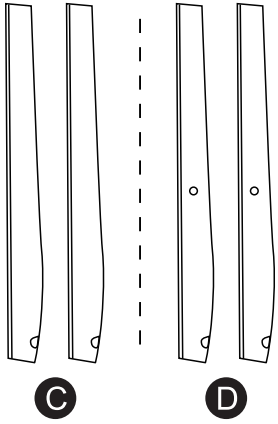
Shoes Bench Assembly Manual



A x1



B x1

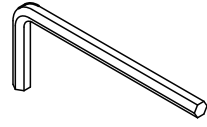


C

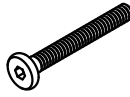
D

Distinguish **C** and **D**

Place all the leg horizontally as shown on the left



H Wrench



Long screw

E x4



Cylindrical Hollow Screw

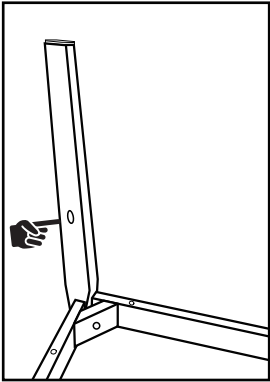
F x4



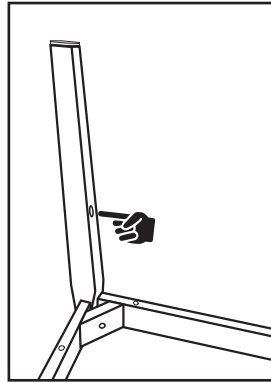
Short screw

G x4

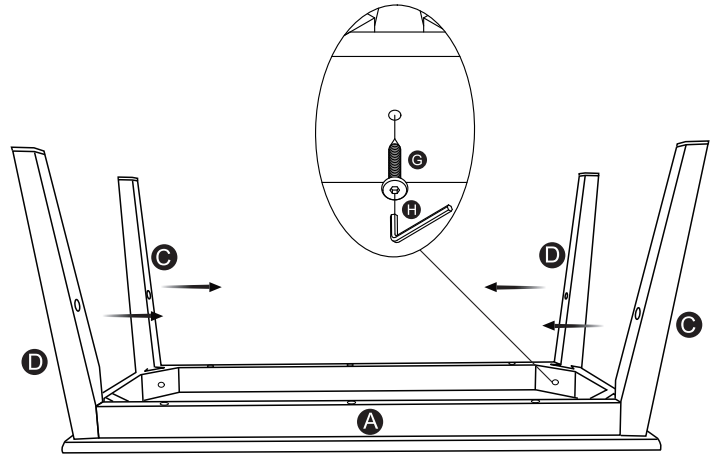
Step 1



X



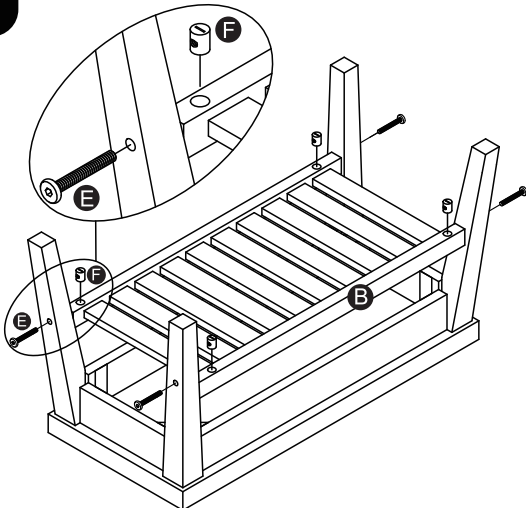
✓



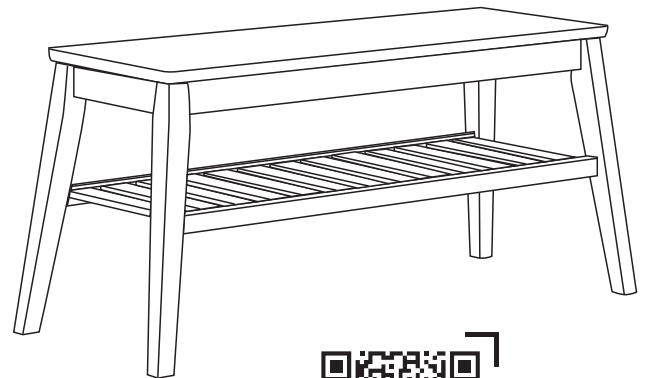
Tips: Holds are in-side orientation

Accessories: C leg*2; D leg*2; A Board*1; G Short Screw*4

Step 2



Accessories: B Shelf*1; E Long Screw*4; F Cylindrical Hollow Screw*4



Scan the code to watch Assembly Video

Congratulation! You complete the installation, if you have some screws left, do not worry, they are the spare screws we prepared. If consult installation issue or product problem, email us at lilyfu@newvante.com