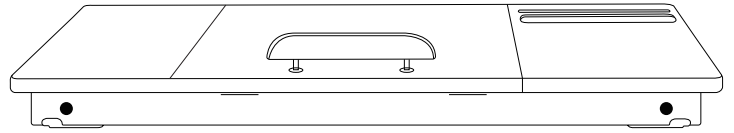
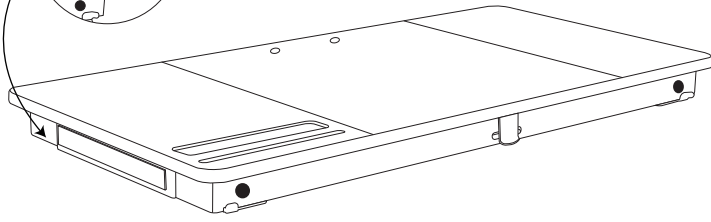
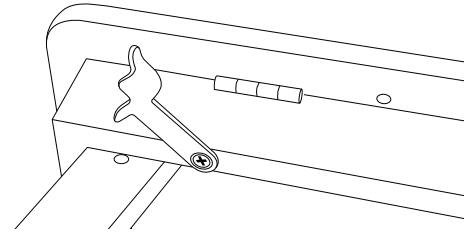
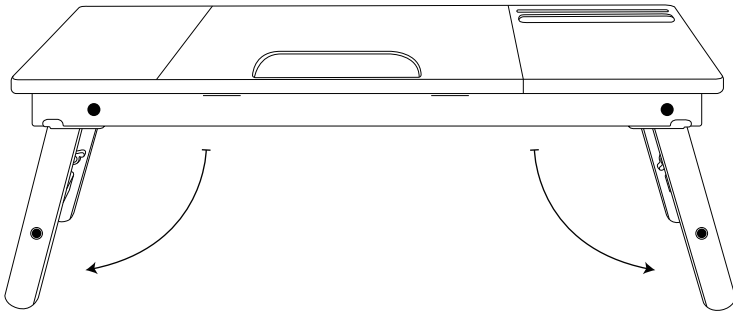


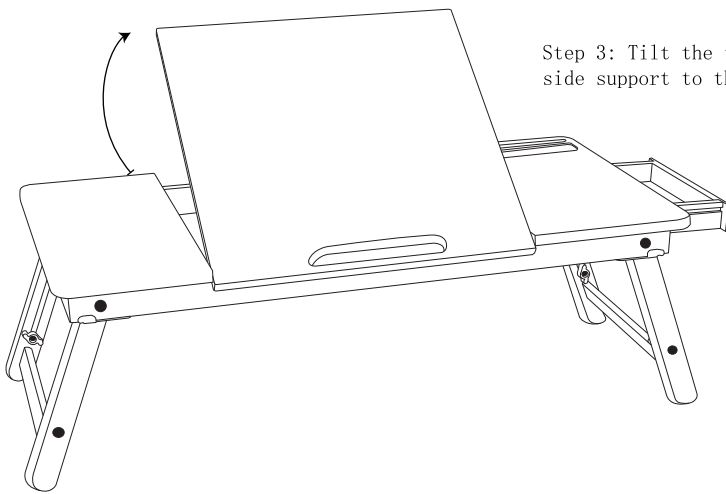
This is the side drawer



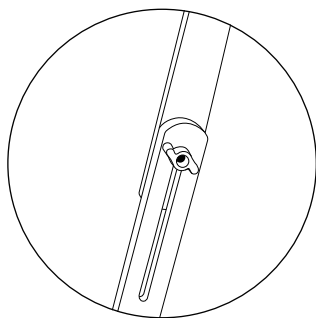
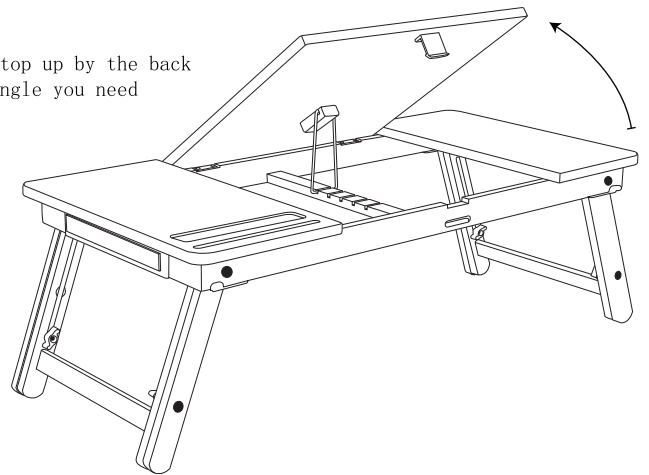
Step1: Plug the ledge to the holes on the surface  
( Notice: the ledge piece can be found in the side drawer)



Step 2: Prop both tray legs up and set the leg lock up



Step 3: Tilt the traytop up by the back side support to the angle you need



Step4: Adjust the leg height by the Orange Nut to the height you suitable

