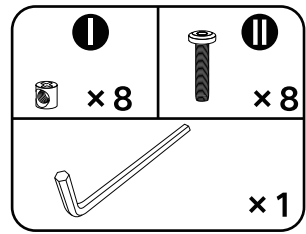
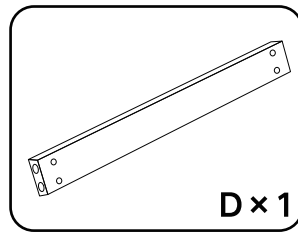
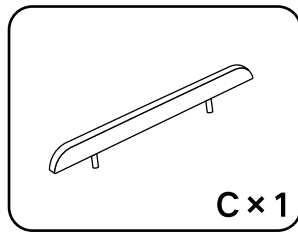
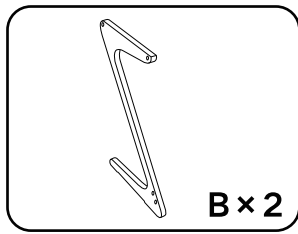
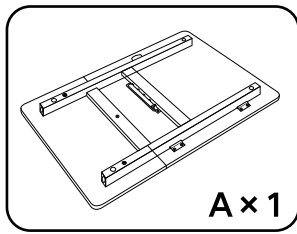
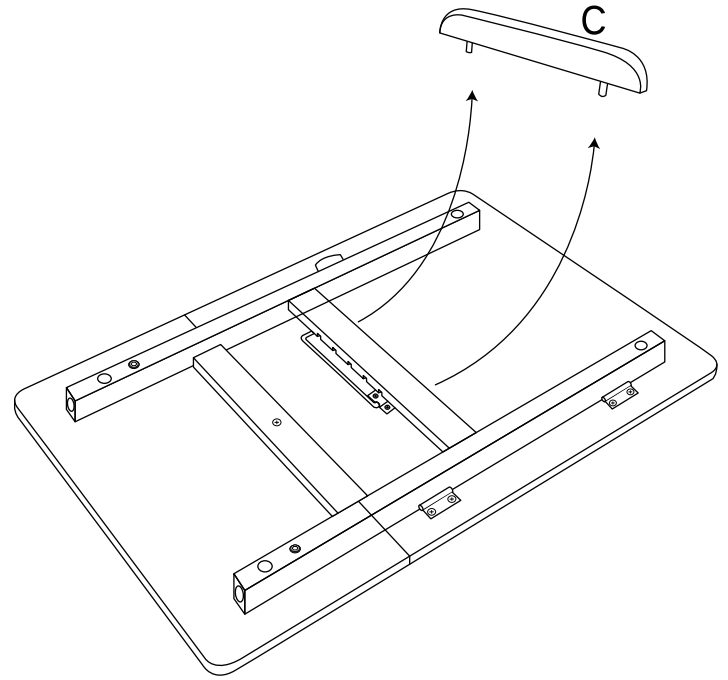
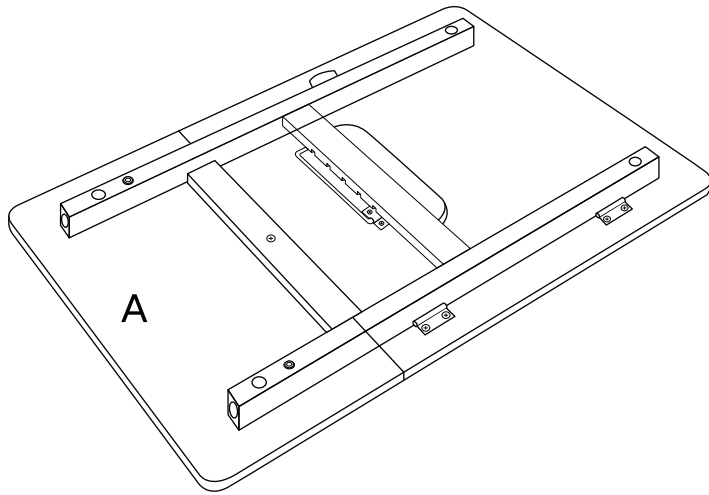


# ZLN Series of Assemble Guide

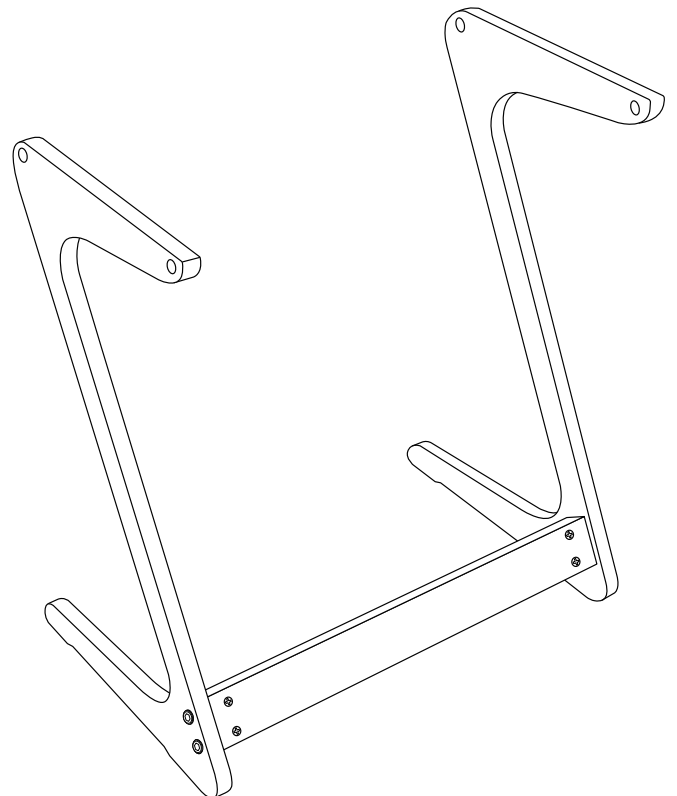
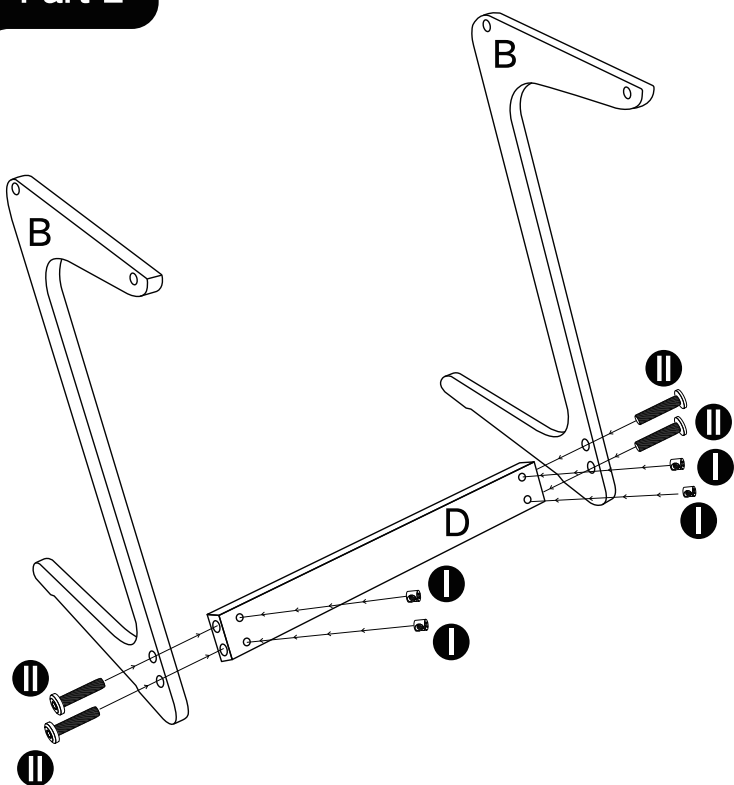


## Part 1



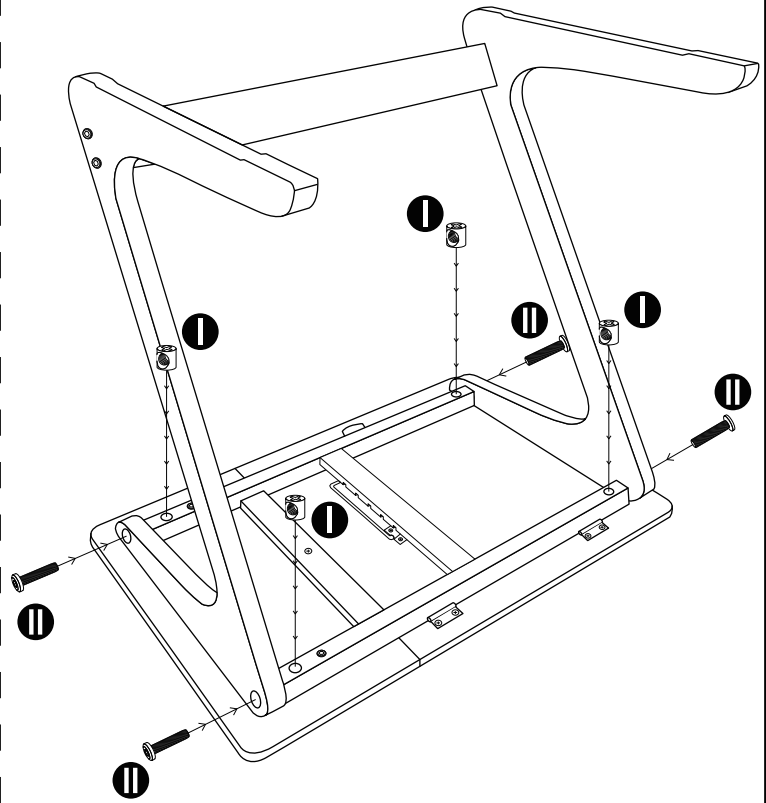
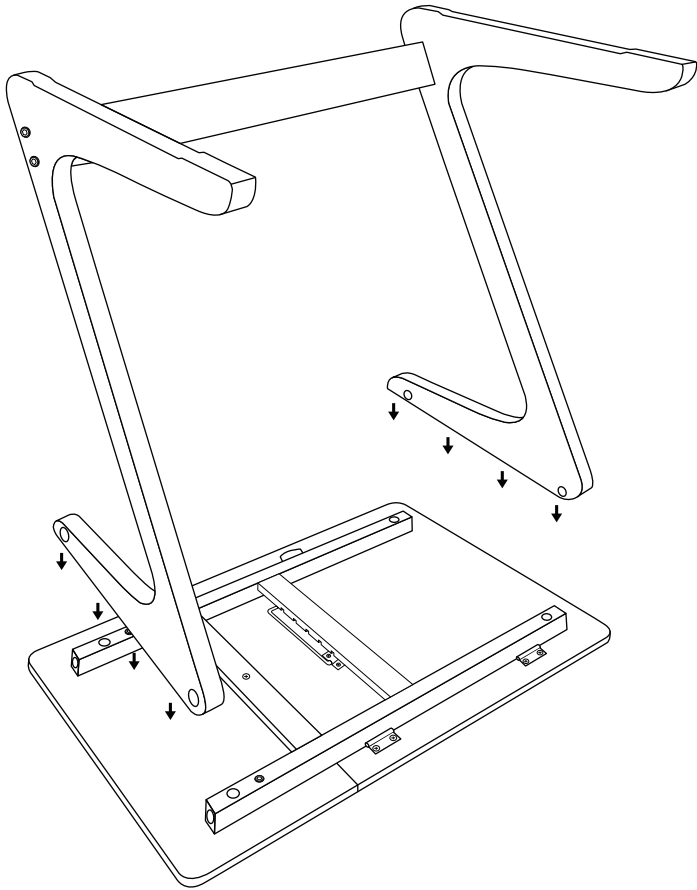
Before Assemble, ledge piece is found underneath Tilting Tray

## Part 2

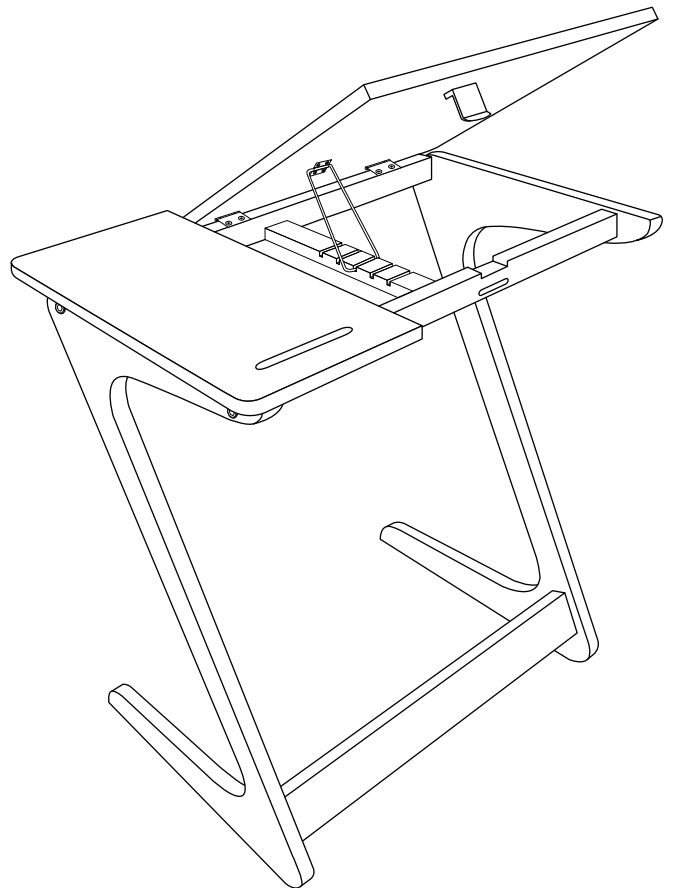
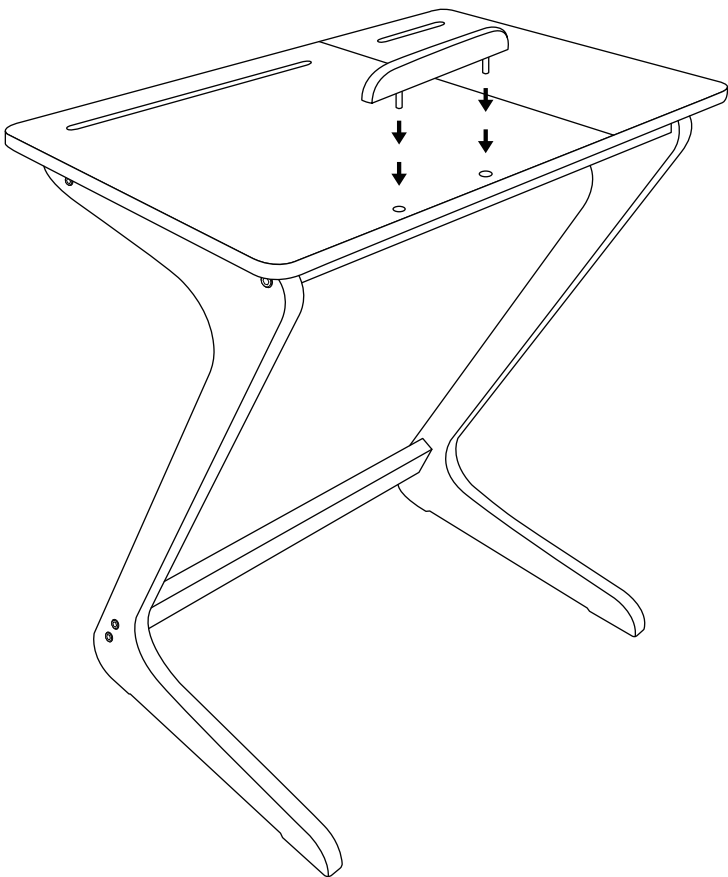


Accessories: Leg B\*2; Battern D\*1; Long Screw\*4; Cylindrical Screw\*4

Part 1+ Part 2



Accessories: Long Screw\*4; Cylindrical Screw\*4



Congratulation! You complete the installation. If you have some screws left, do not worry, they are the spare screws we prepare for you. Or if consult install question , email us at [lilyfu@newvante.com](mailto:lilyfu@newvante.com)