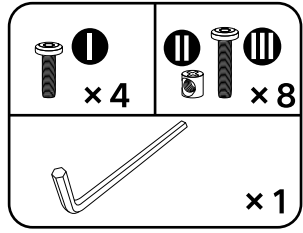
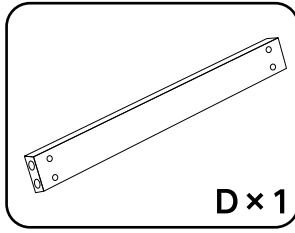
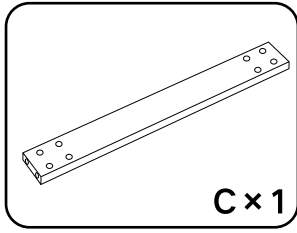
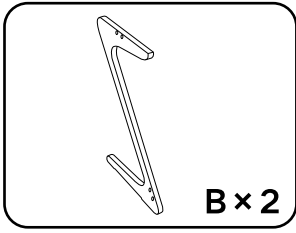
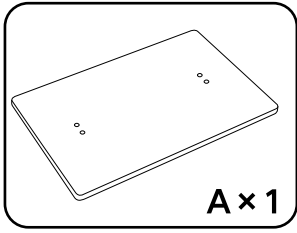
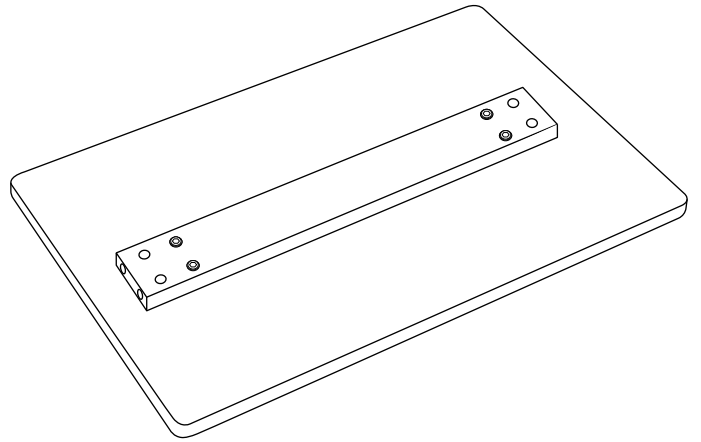
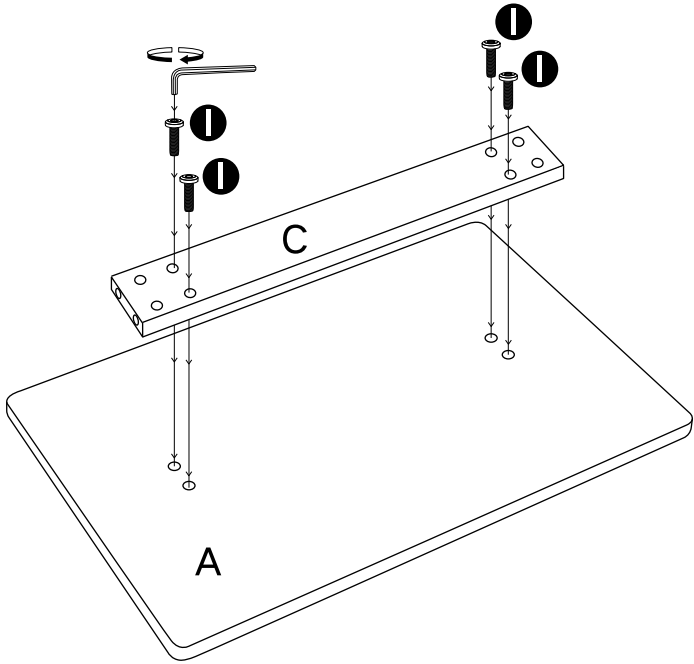


Installation Manual

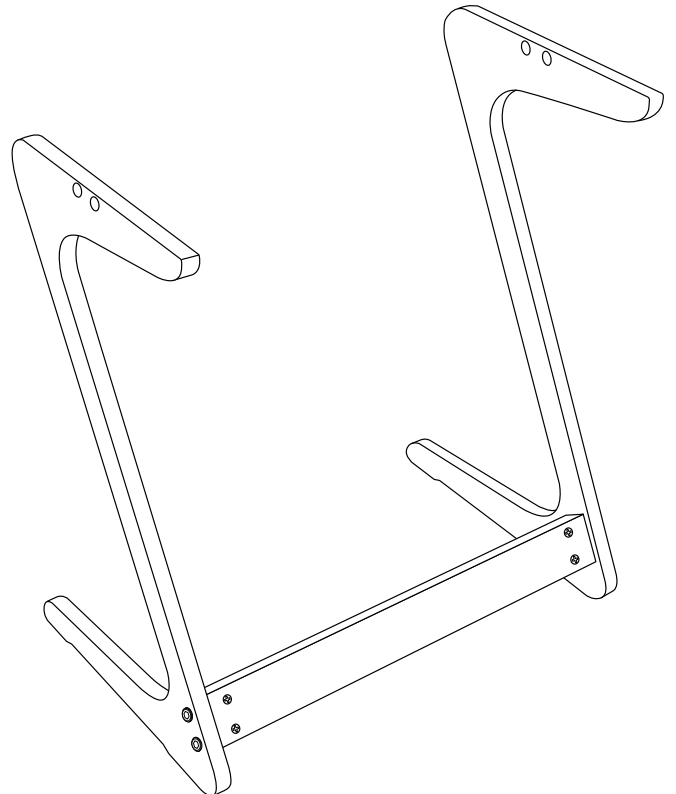
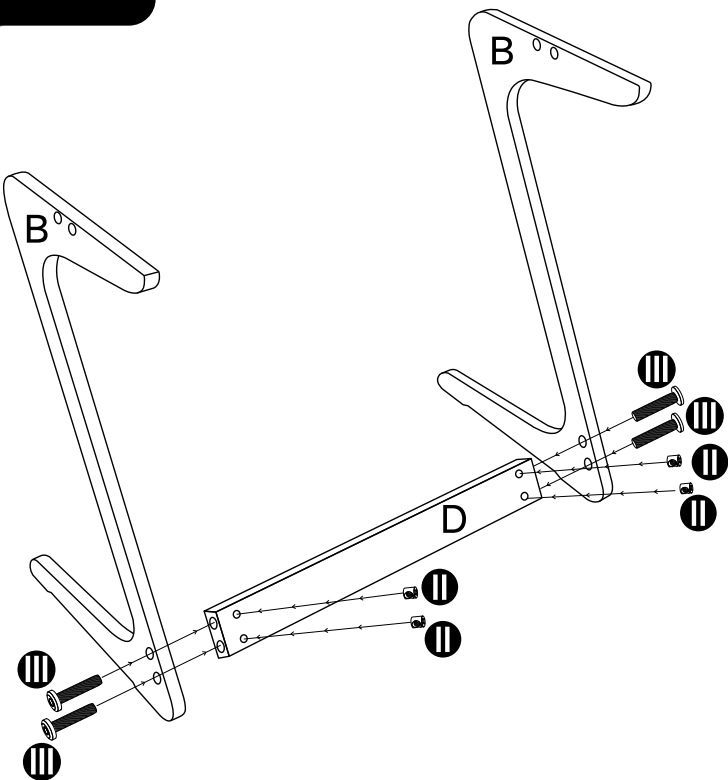


Part 1



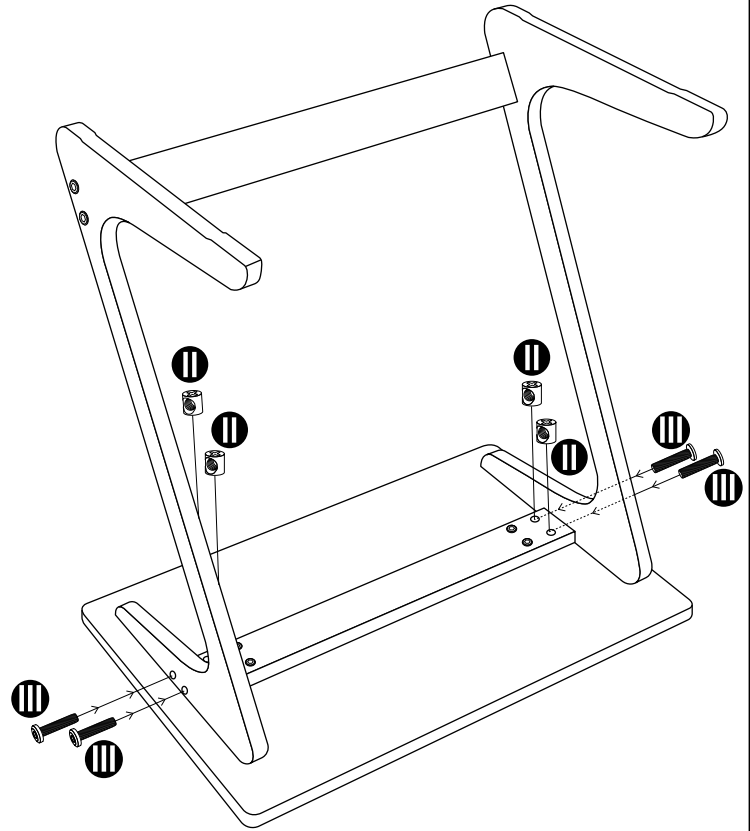
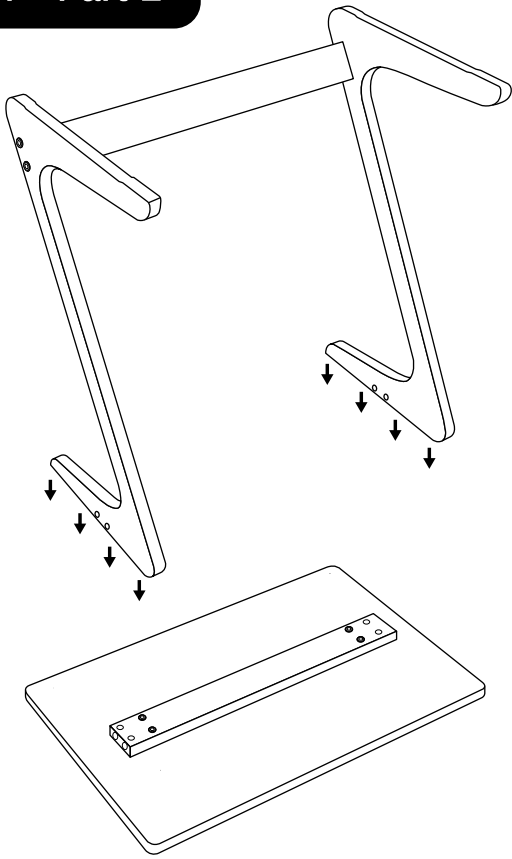
Accessories: Panel A; Batten C; Short Screw *4

Part 2

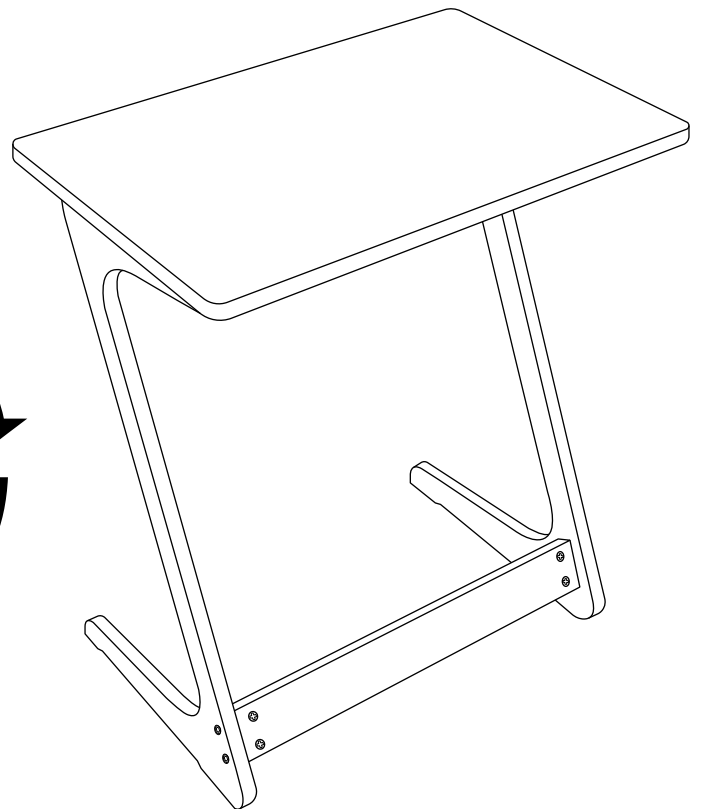
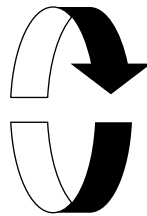
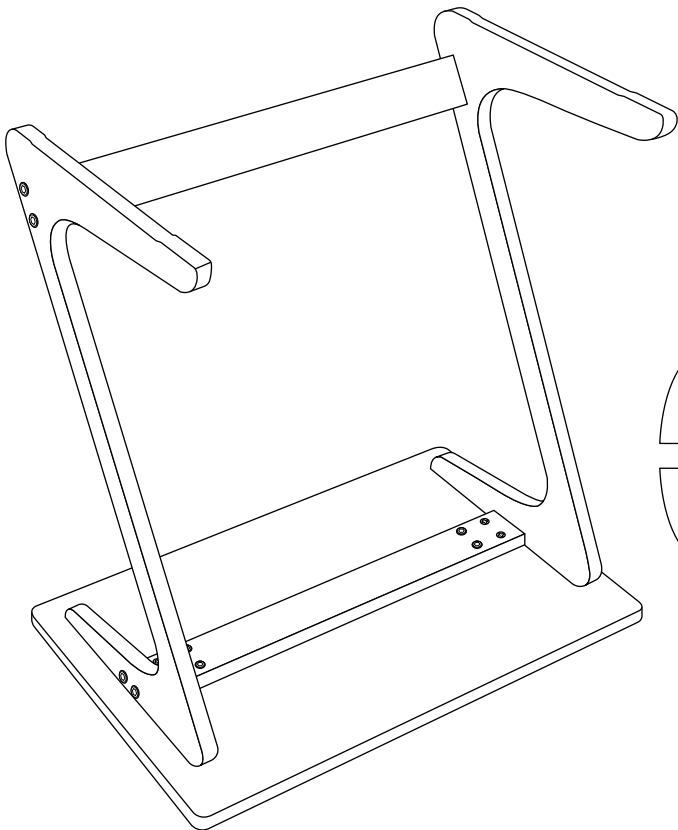


Accessories: Leg B *2 ; Batten D; Long Screw*4; Cylindrical Screw *4

Part 1+ Part 2



Accessories: Long Screw*4; Cylindrical Screw *4



Congratulation! You complete the installation. If you have some screws left, do not worry, they are the spare screws we prepare for you. Or if consult install question , email us at lilyfu@newvante.com