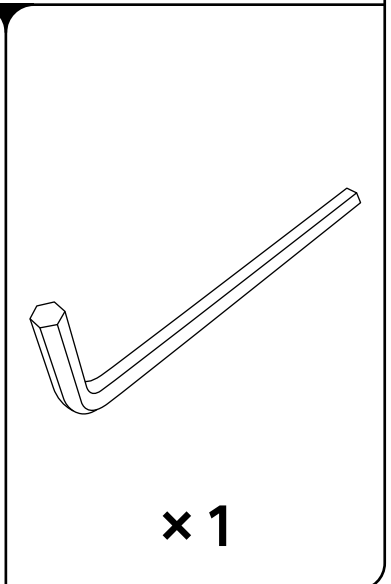
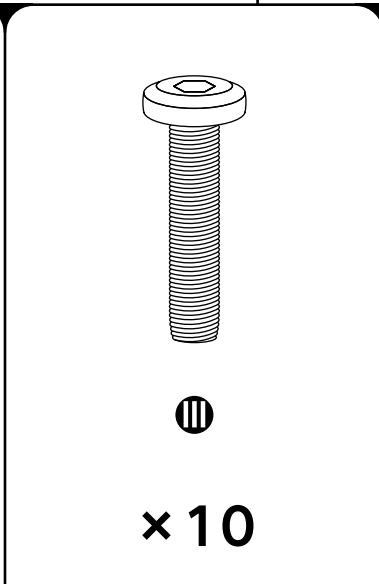
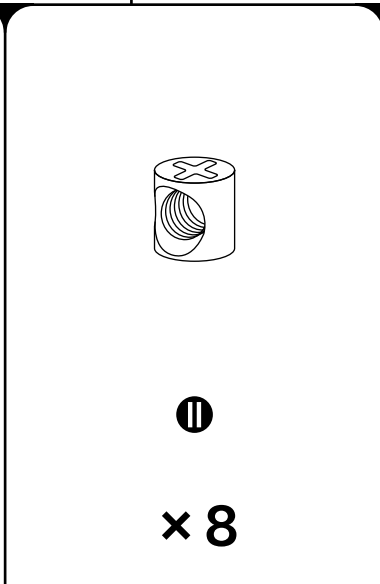
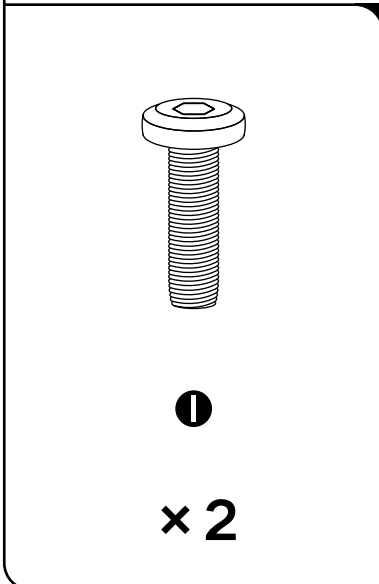
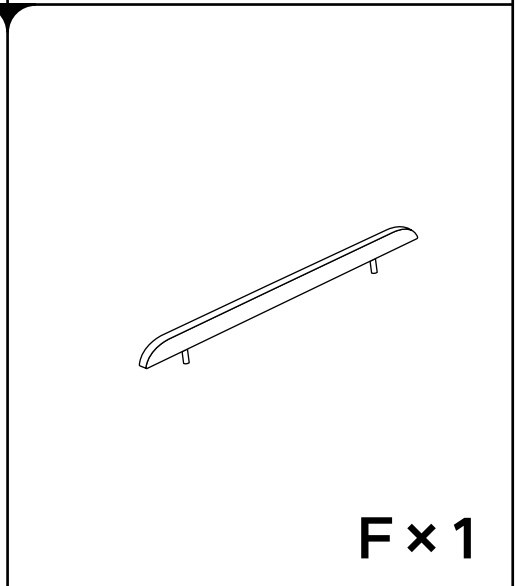
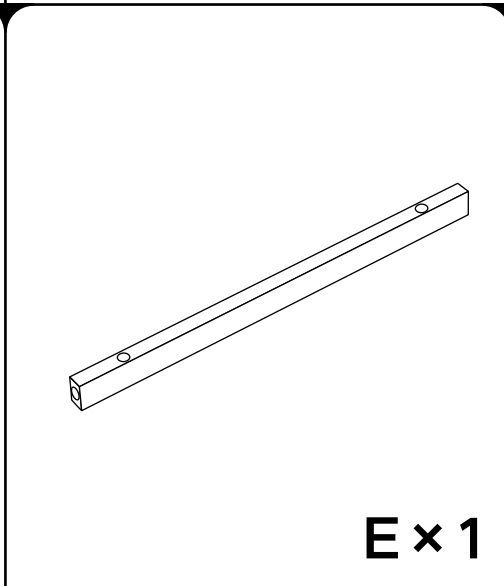
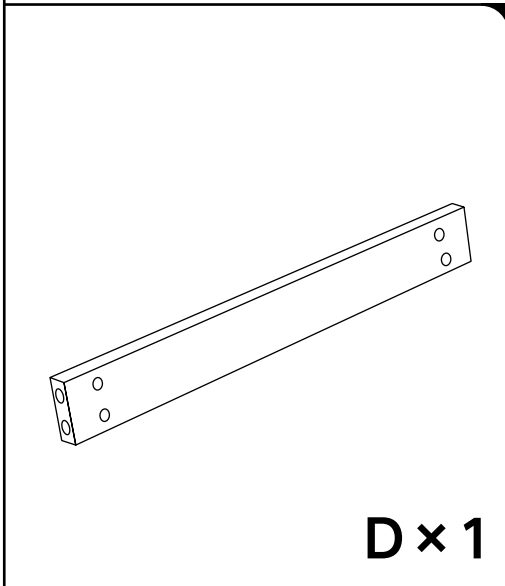
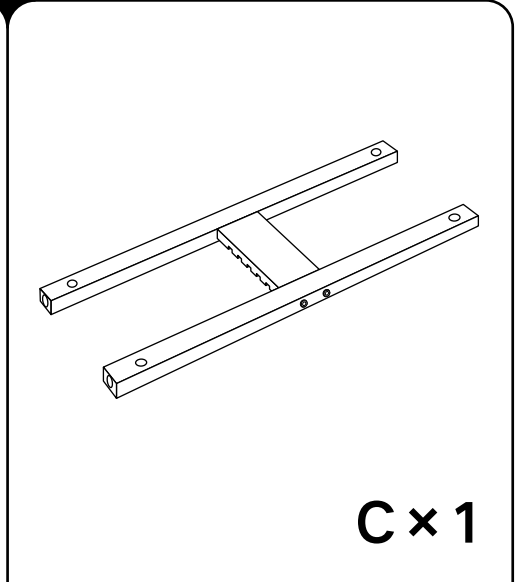
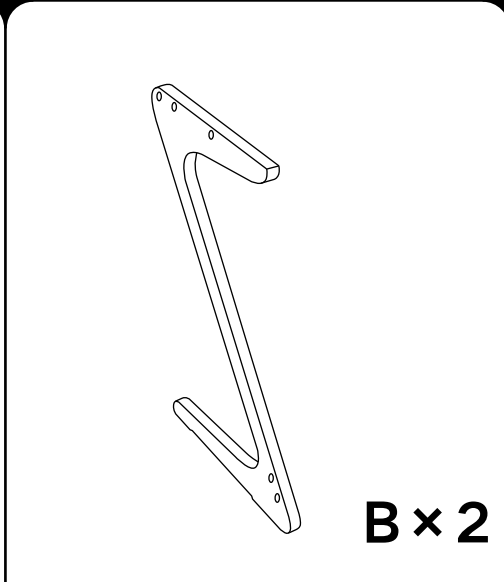
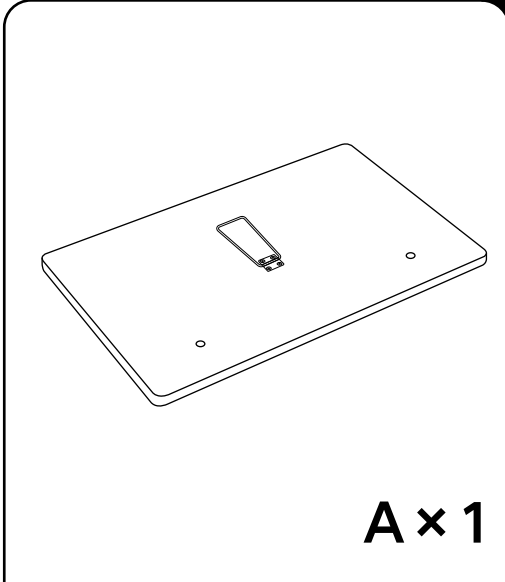
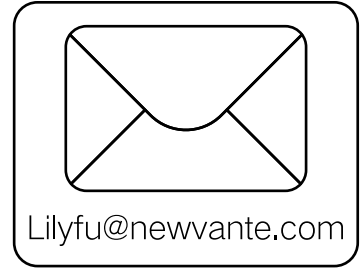
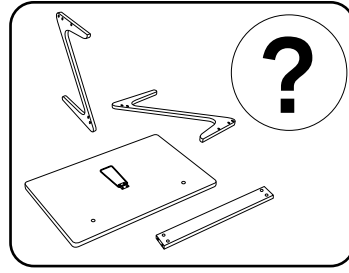
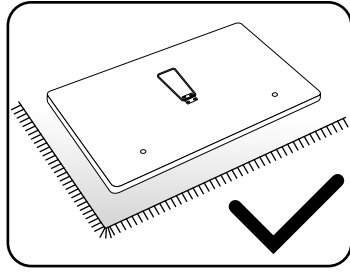
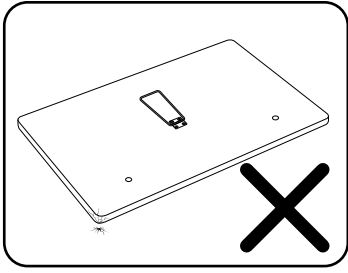
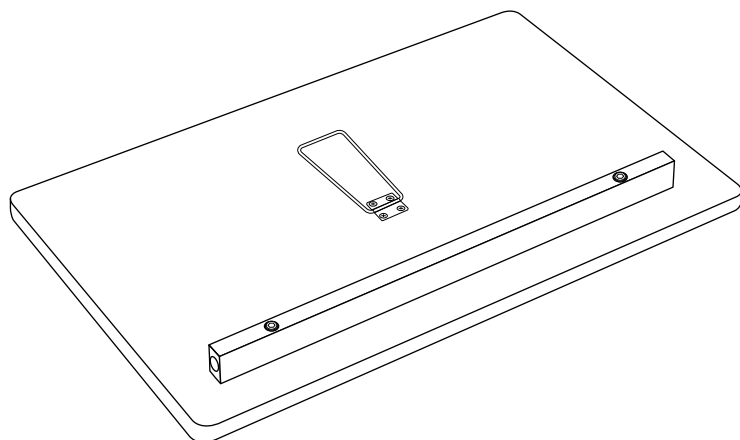
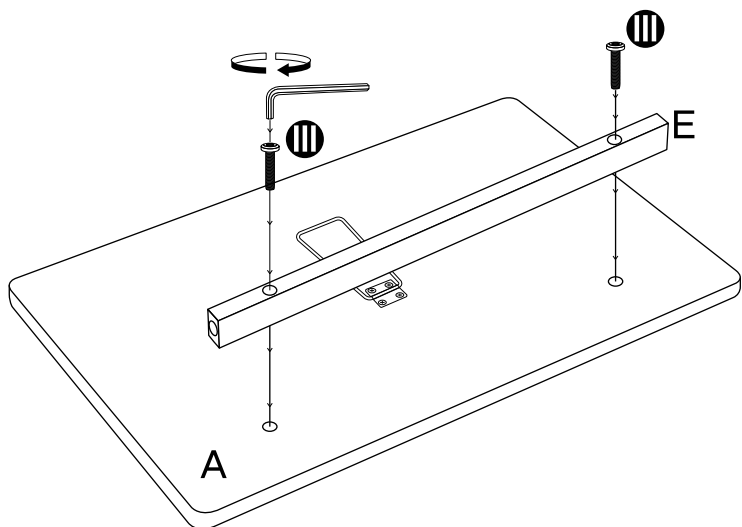


ZSN series of products instruction

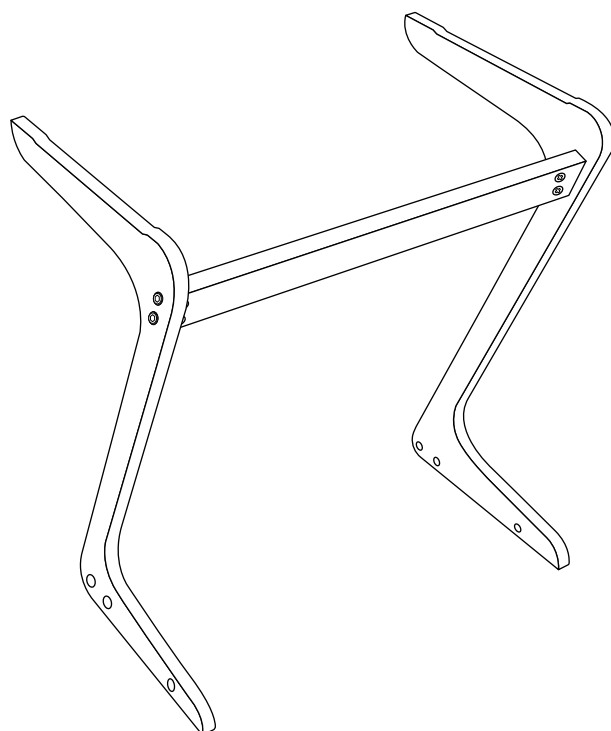
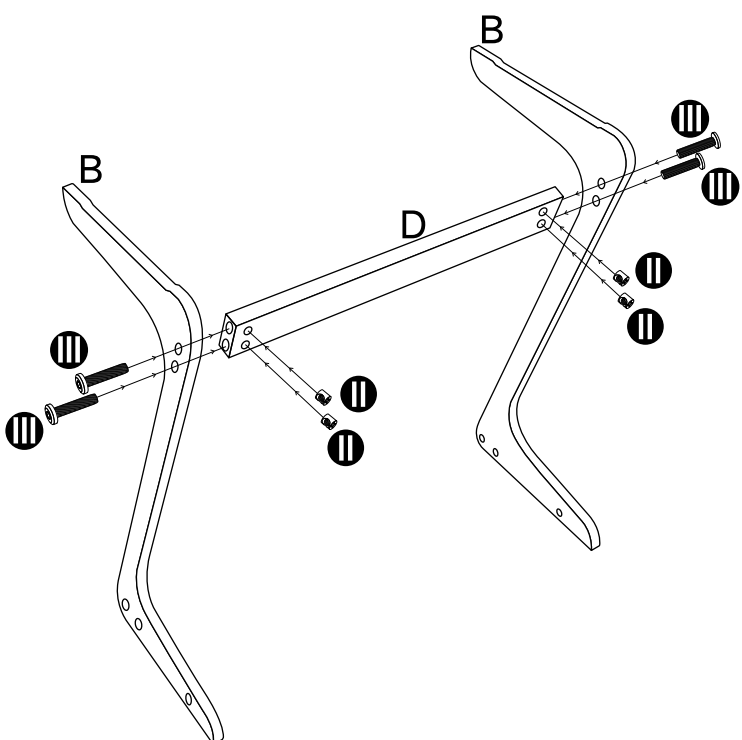


Step 1



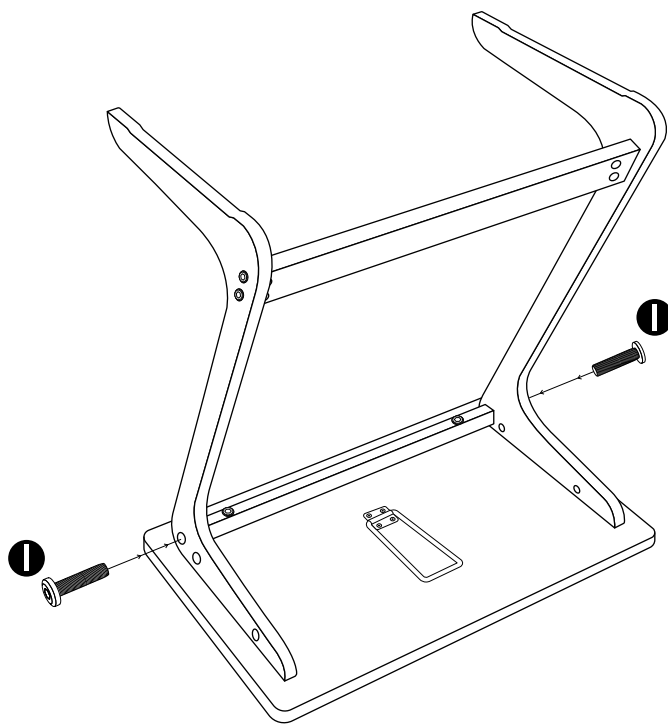
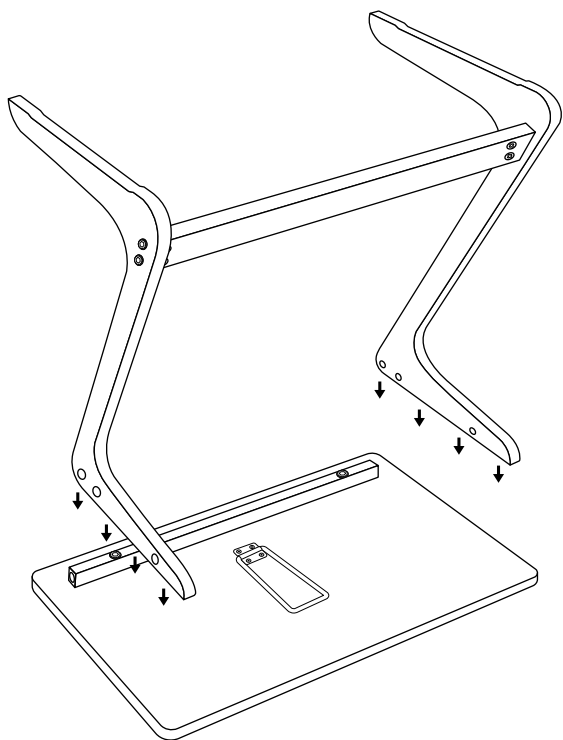
Accessories:Planel A; Batten E; Long Screw *2;

Step 2



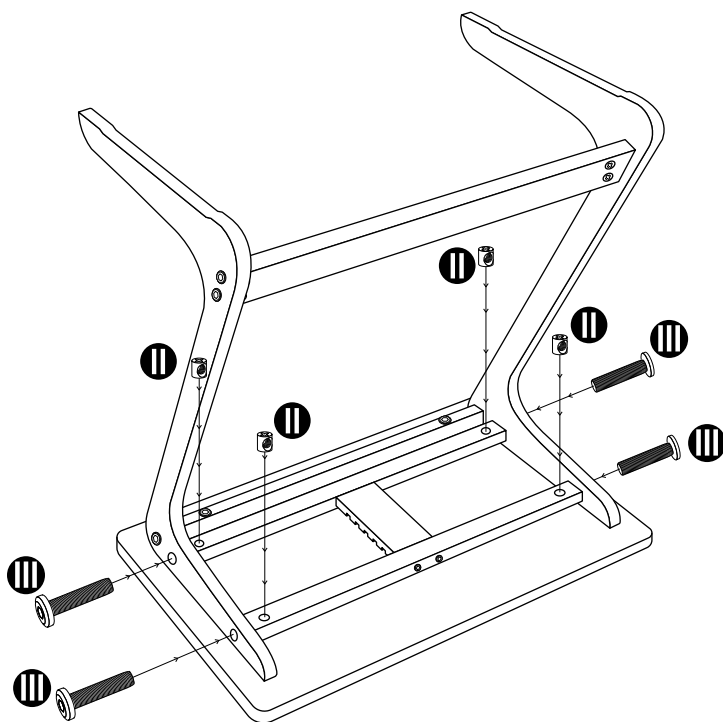
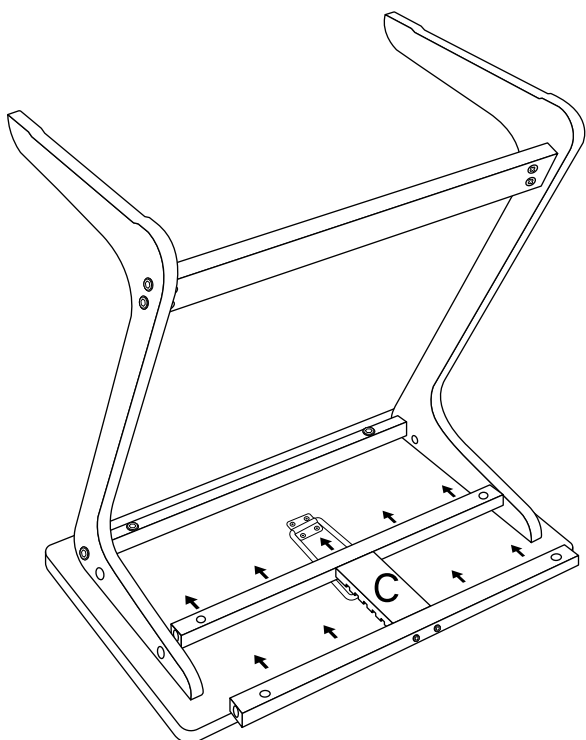
Accessories: Leg B*2;Batten D; Long Screw*4;Cylindrical Screw*4;

Step 3



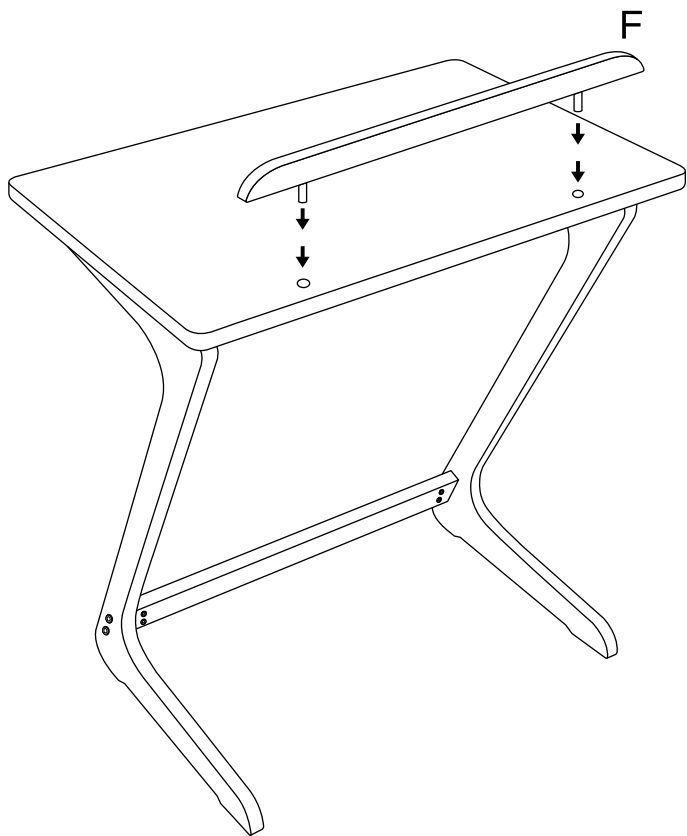
Accessories: Short Screw*2

Step 4

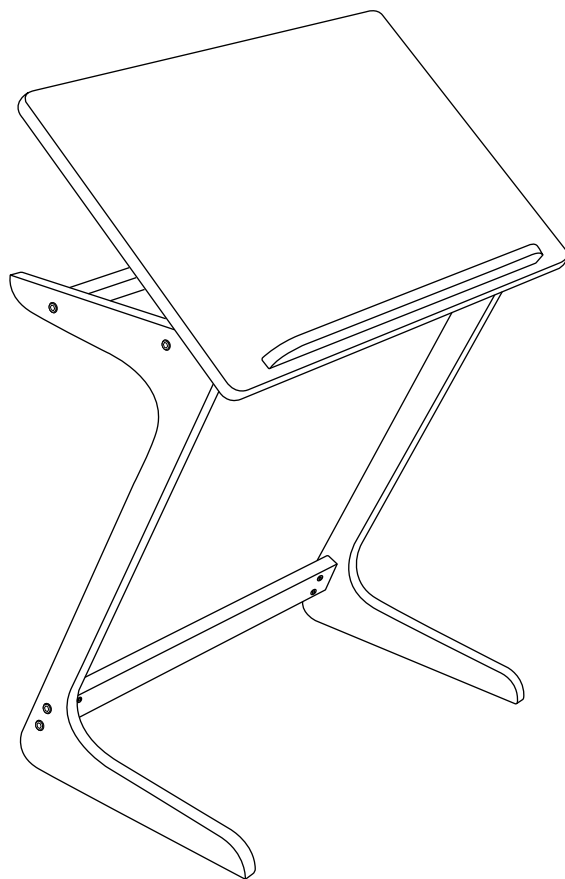
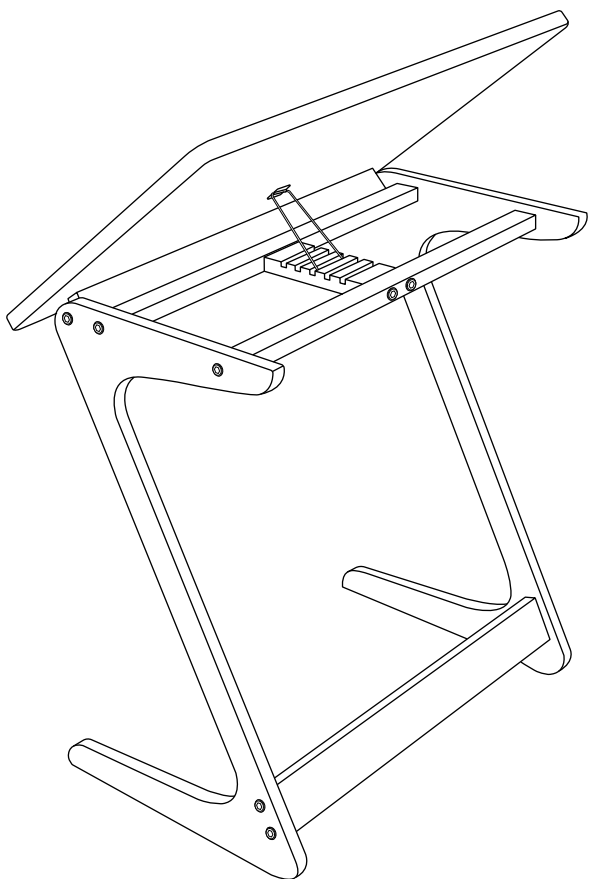


Accessories: Frame C; Long Screw*4; Cylindrical Screw*4

Step 5



Accessories: Ledge F



Congratulation! You complete the installation. If you have some screws left, do not worry, they are the spare screws we prepare for you. Or if consult install question , email us at lilyfu@newvante.com