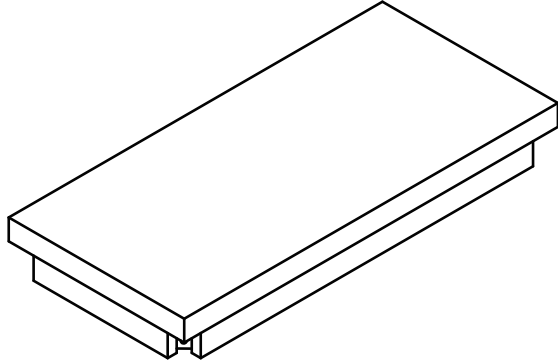
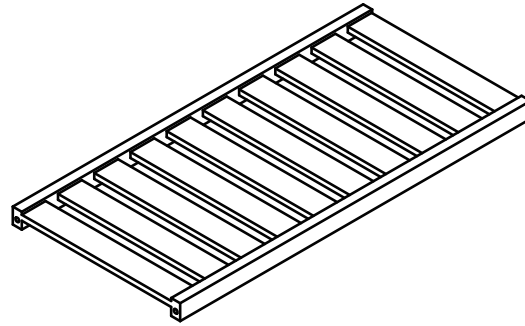


Shoes Rack Bench Assemble Manual

Tips: please take measure to protect your floor before assembling



A 1 PCS



B 1 PCS



C 2 PCS



D 2 PCS



H 1 PCS



Long screw

E 4 PCS

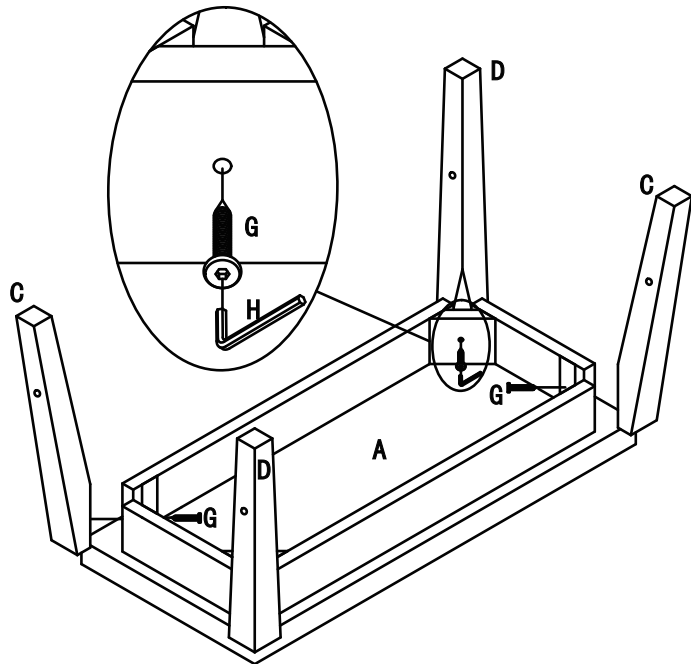


F 4PCS



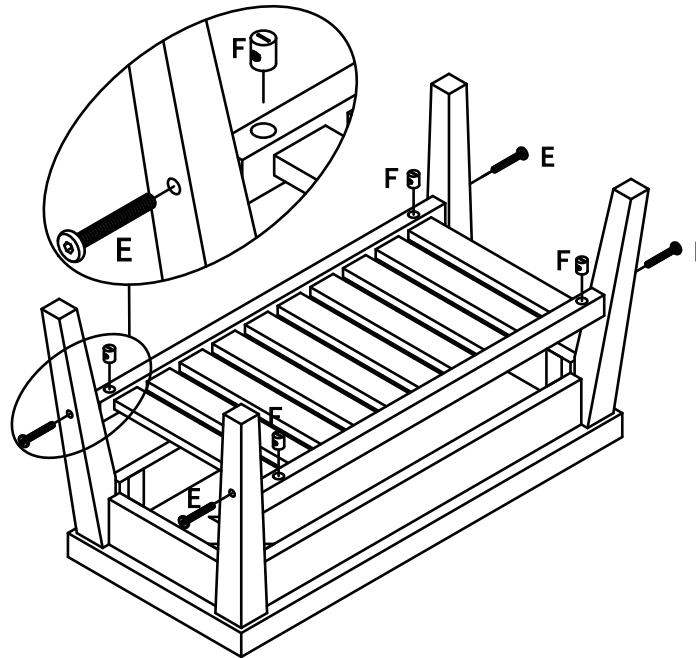
Short screw

G 4 PCS

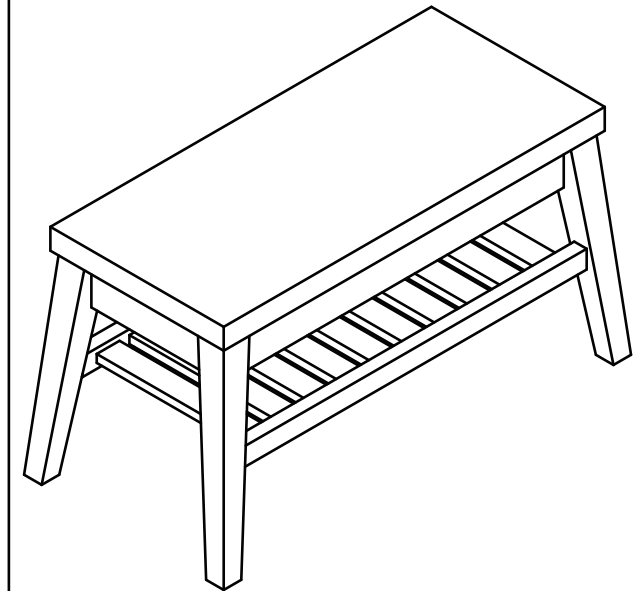


Note: Legs are bilateral symmetry. When install, please match the Screw E's hole with Clapboard B's hole.

Step 1



Step 2



Step 3